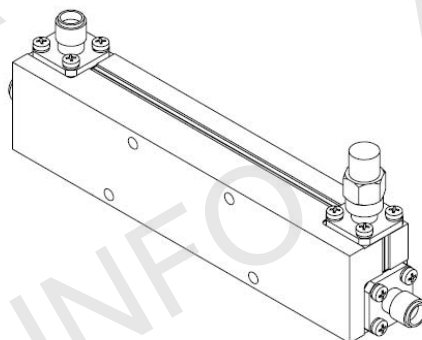
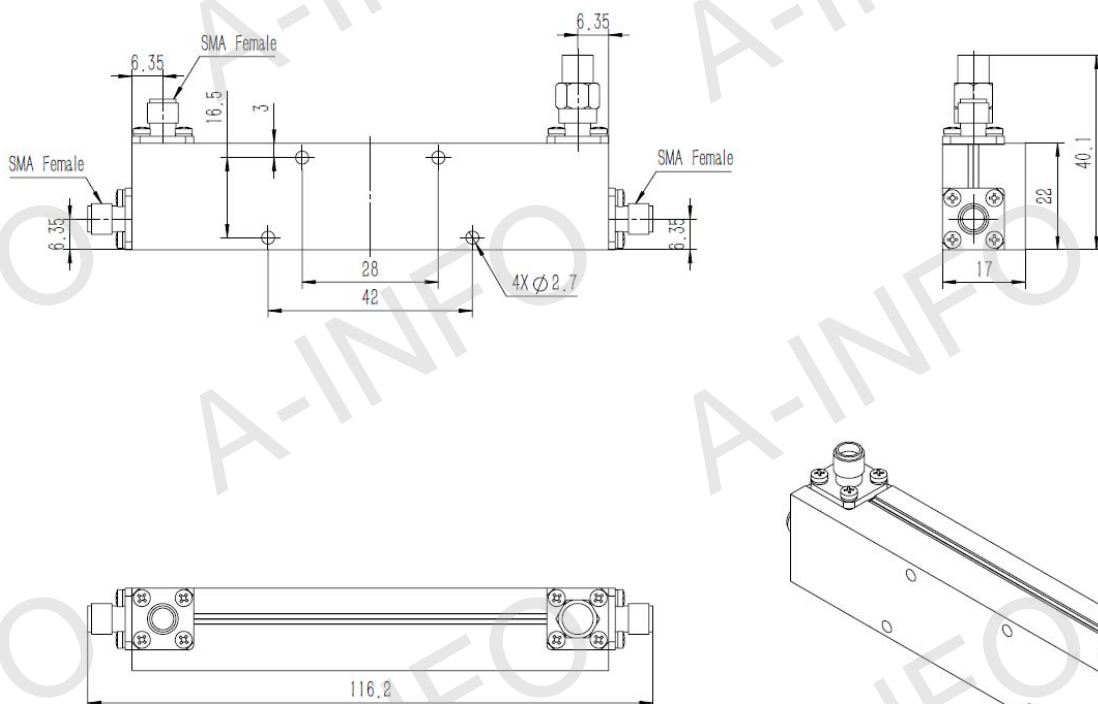


## Technical Specification



Freq. Range(GHz)	0.8-2.5
Coupling(dB)	6.0
Accuracy(dB)	±1.0 Max.
Directivity(dB)	20 Min.
Mainline VSWR	1.2:1 Max.
Coupled VSWR	1.2:1 Max.
Insertion Loss(dB)	0.5 Max. (Not including the theoretical loss 1.26dB)
Power handling(W)	20 CW
Connectors	SMA-Female
Operating Temp.	-55°C~+85°C
Material	Al
Size(mm)	116.2 x 17.0 x 40.1
Net Weight(Kg)	0.15 Around

## Outline Drawing (Size: mm)



AINFO Inc.

Page 1 of 3

China(Beijing):  
China(Chengdu):  
USA :

Tel: (+86) 10-6266-7326,  
Tel: (+86) 28-8519-2786,  
Tel: (+1) 949-639-9688,

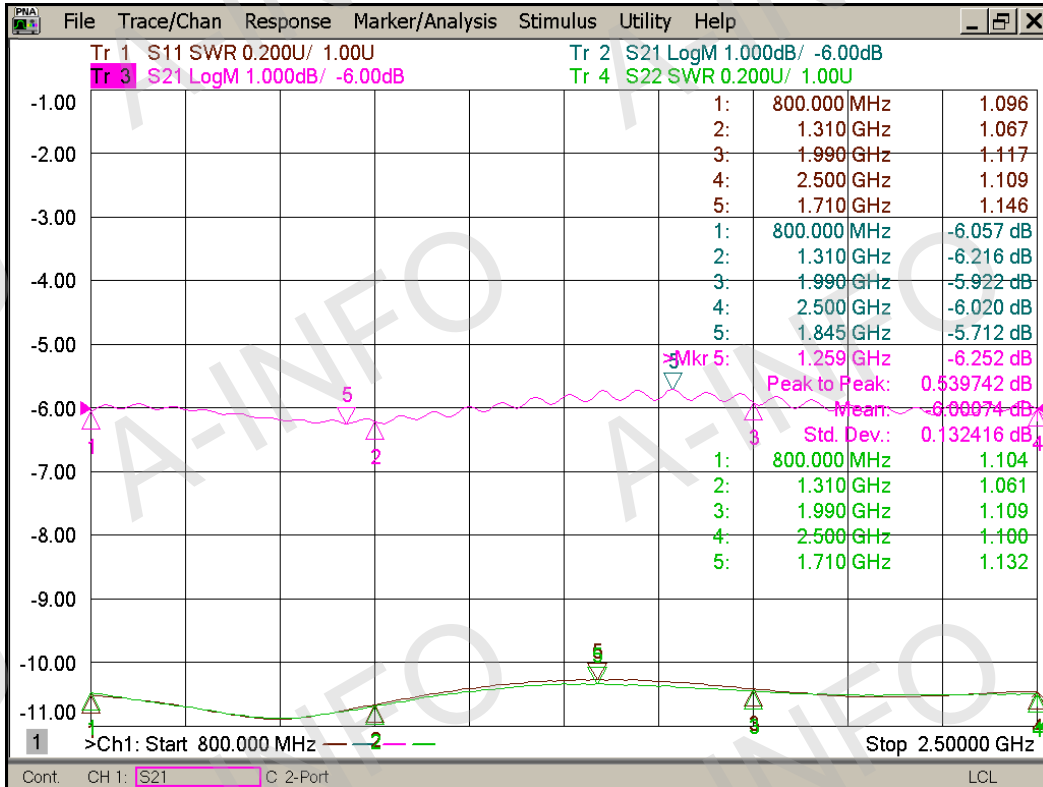
(+86) 10-6266-7327  
(+86) 28-8519-3044  
(+1) 949-639-9608

Fax: (+86) 10-6266-7379  
Fax: (+86) 28-8519-3068  
Fax: (+1) 949-639-9670

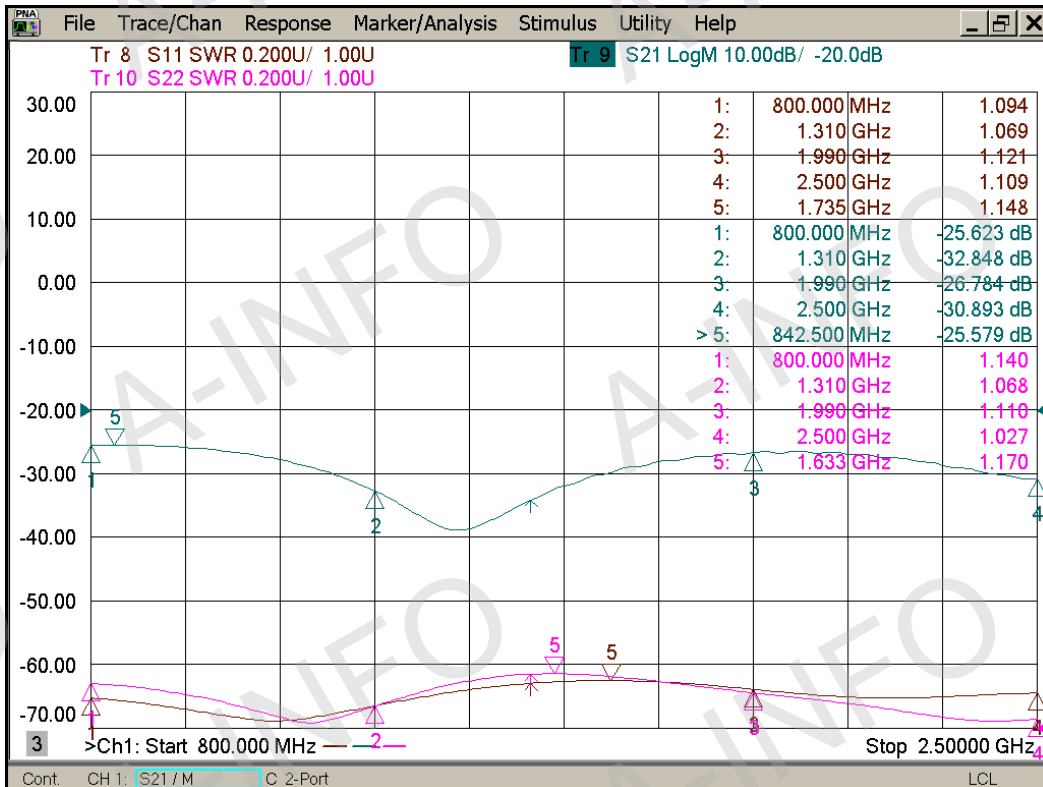
Website: [www.ainfoinc.com](http://www.ainfoinc.com)  
Email: [sales@ainfoinc.com](mailto:sales@ainfoinc.com)

## Test Results

### Coupling & VSWR



### Directivity



## Insertion Loss (Including the theoretical loss 1.26dB) & VSWR

