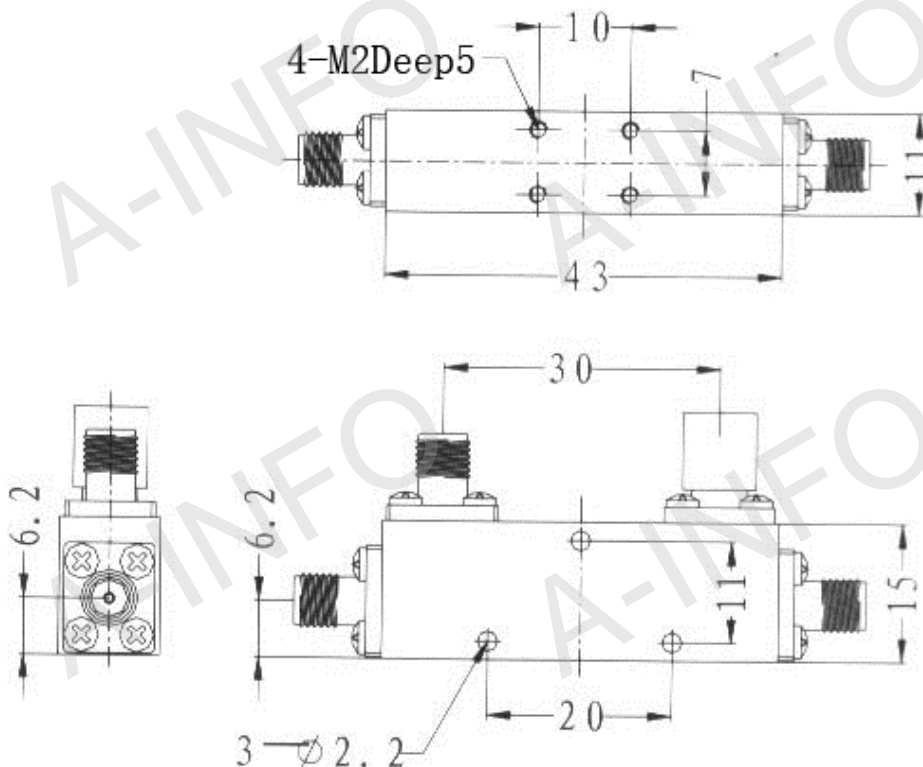


Technical Specification



Freq. Range(GHz)	2.0-8.0
Coupling(dB)	10
Accuracy(dB)	±1 Max
Directivity(dB)	20 Min.
Main VSWR	1.25:1 Max.
Coupled VSWR	1.25:1 Max.
Insertion Loss(dB)	0.5 Max.
Power Handling	50W
Connector	SMA-Female
Operating Temp.	-40°C~+70°C

Outline Drawing (Size: mm)



AINFO Inc.

Page 1 of 3

China(Beijing): Tel: (+86) 10-6266-7326,
 China(Chengdu): Tel: (+86) 28-8519-2786,
 USA: Tel: (+1) 949-346-7326,

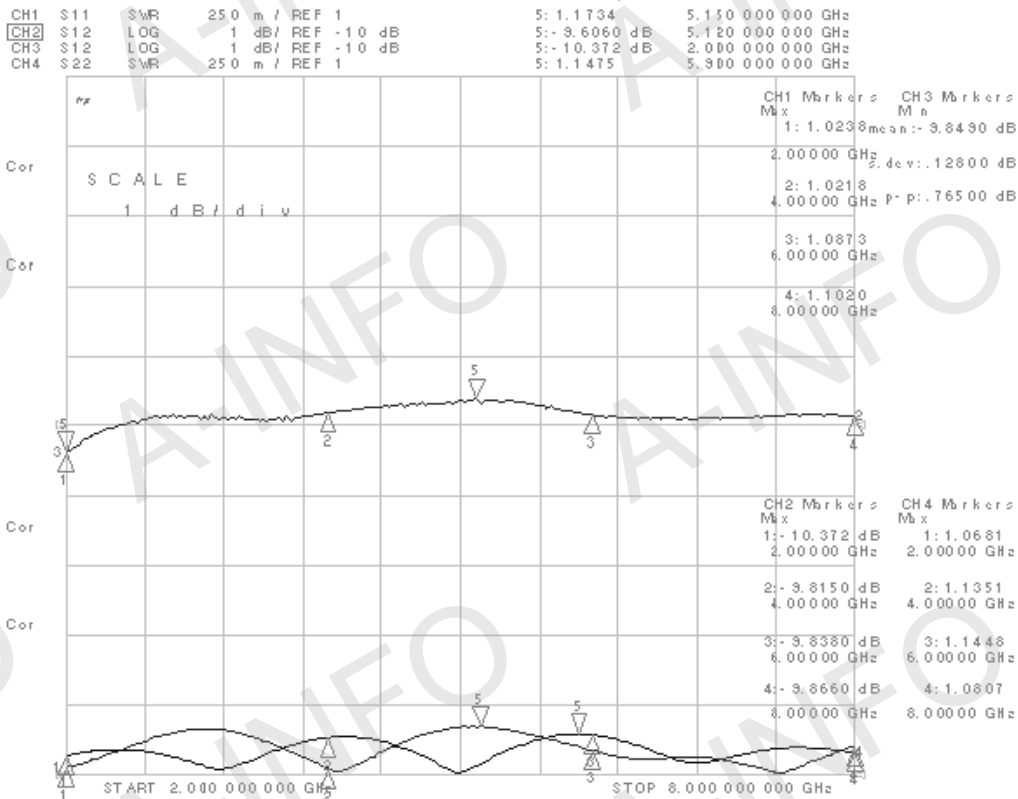
(+86) 10-6266-7327
 (+86) 28-8519-3044
 (+1) 949-639-9660

Fax: (+86) 10-6266-7379
 Fax: (+86) 28-8519-3068
 Fax: (+1) 949-639-9659

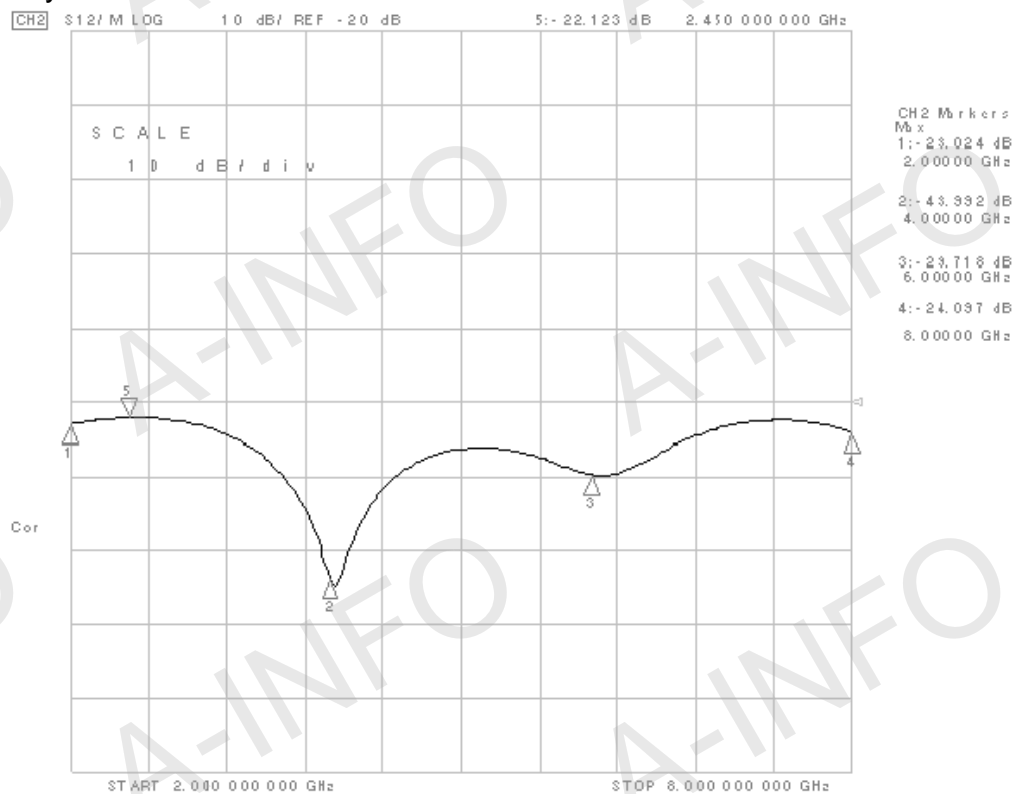
Website: www.ainfoinc.com
 Email: sales@ainfoinc.com

Test Results

1. Coupler



2. Directivity



3. Insertion Loss & VSWR

