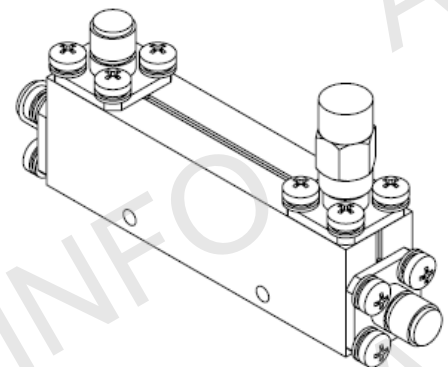
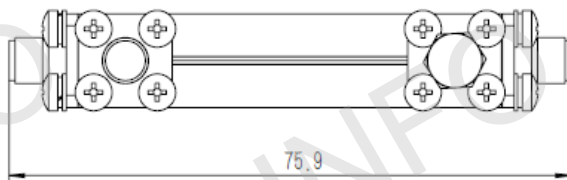
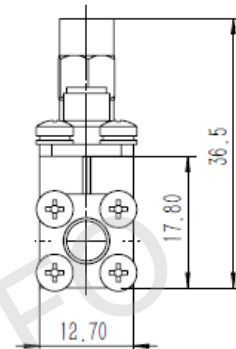
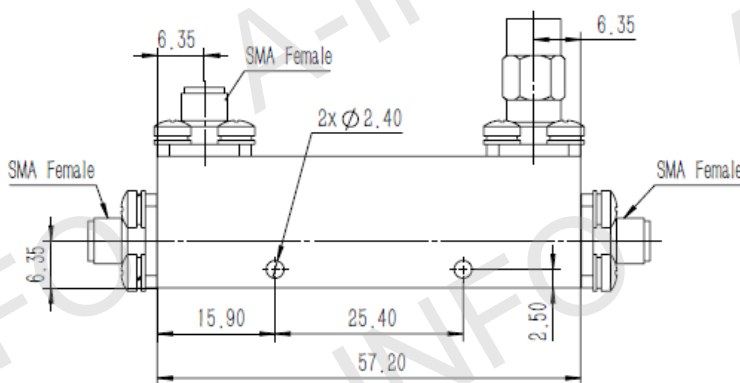


## Technical Specification



Freq. Range(GHz)	2.0-18.0
Coupling(dB)	30
Accuracy(dB)	±0.6 Max.
Directivity(dB)	15 Min.
Mainline VSWR	1.4:1 Max.
Coupled VSWR	1.4:1 Max.
Insertion Loss(dB)	0.7 Max. (Not including the theoretical loss $4.35 \times 10^{-3}$ dB)
Average Power(W)	20
Peak Power(KW)	3
Connectors	SMA-Female
Operating Temp.	-55°C~+85°C
Material	Al
Size(mm)	75.9 x 12.7 x 36.5
Net Weight(Kg)	0.06 Around

## Outline Drawing (Size: mm)



AINFO Inc.

Page 1 of 3

China(Beijing):  
China(Chengdu):  
USA :

Tel: (+86) 10-6266-7326,  
Tel: (+86) 28-8519-2786,  
Tel: (+1) 949-639-9688,

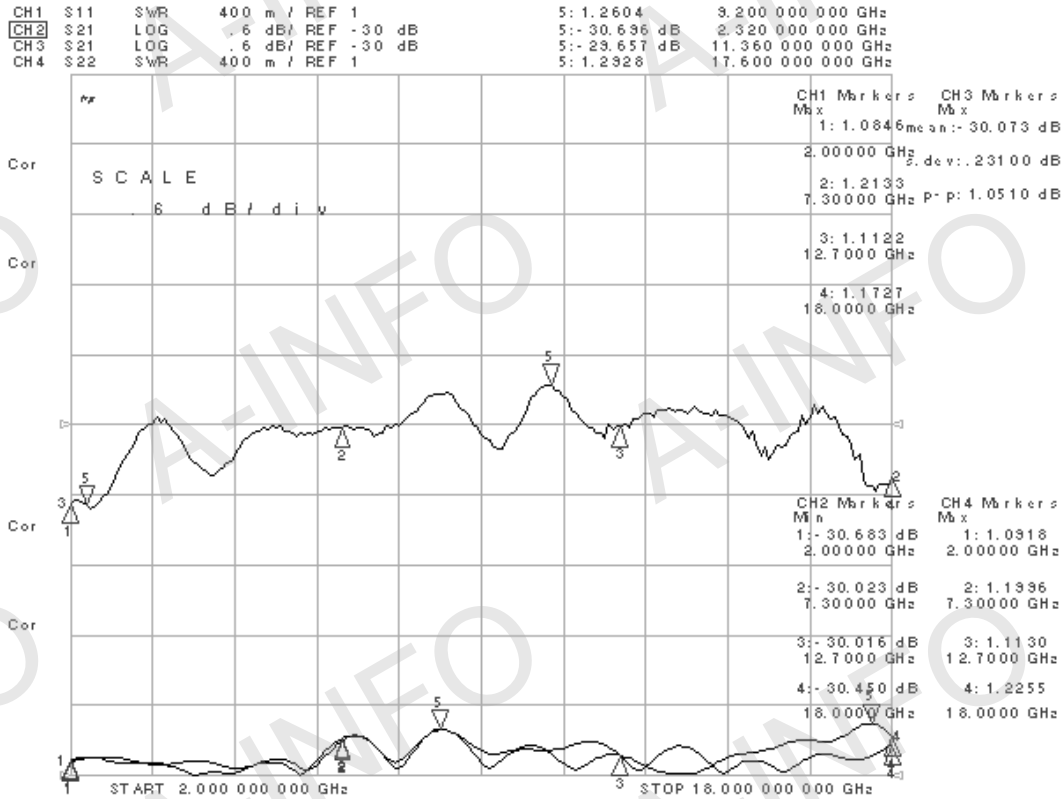
(+86) 10-6266-7327  
(+86) 28-8519-3044  
(+1) 949-639-9608

Fax: (+86) 10-6266-7379  
Fax: (+86) 28-8519-3068  
Fax: (+1) 949-639-9670

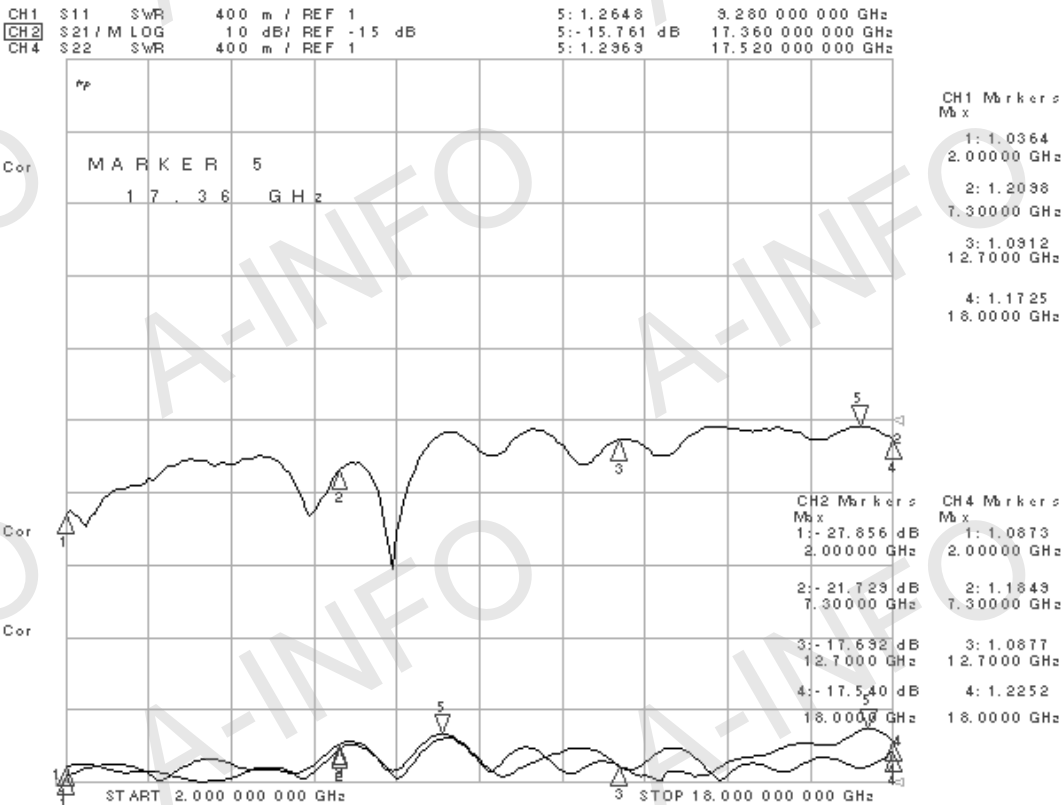
Website: [www.ainfoinc.com](http://www.ainfoinc.com)  
Email: [sales@ainfoinc.com](mailto:sales@ainfoinc.com)

## Test Results

### Coupling



### Directivity



Insertion Loss (Including the theoretical loss  $4.35 \times 10^{-3}$  dB)

