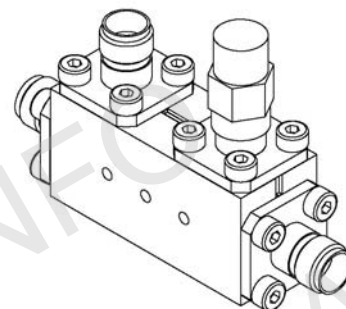
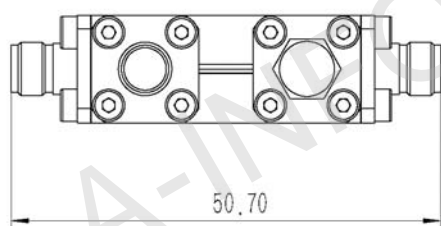
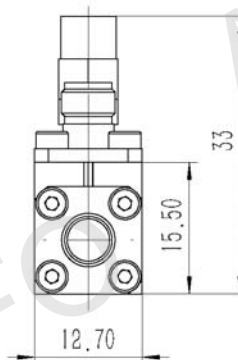
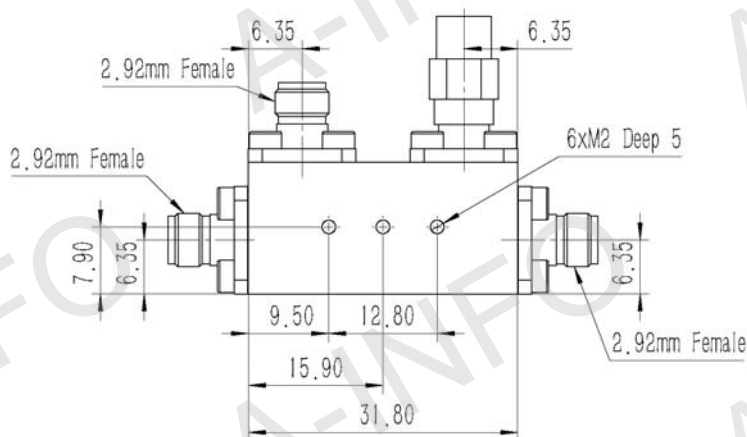


## Technical Specification



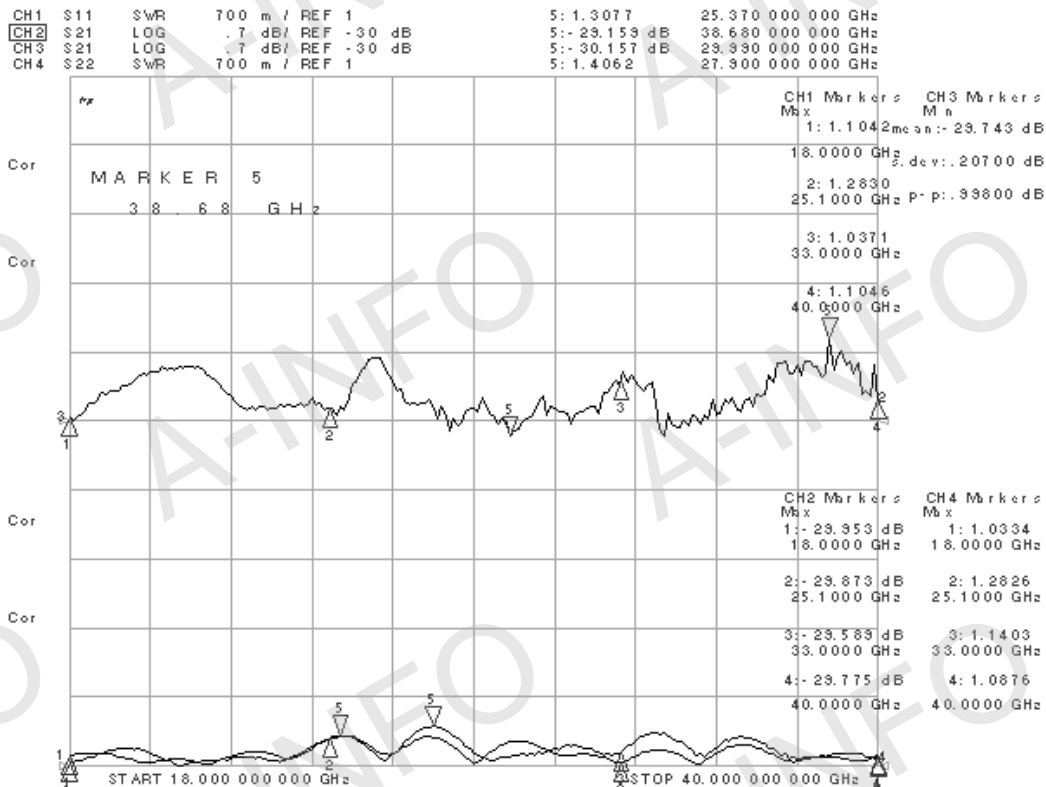
Freq. Range(GHz)	18.0 - 40.0
Coupling(dB)	30.0
Accuracy(dB)	±0.7 Max.
Directivity(dB)	12.0 Min.
Mainline VSWR	1.70:1 Max.
Coupled VSWR	1.70:1 Max.
Insertion Loss(dB)	1.0 Max. (Not including the theoretical loss $4.35 \times 10^{-3}$ dB)
Average Power(W CW)	20 Max.
Peak Power(KW)	3 Max.
Connectors	2.92mm-Female
Operating Temp.	-55°C~+85°C
Material	Al
Size(mm)	50.7 x 12.7 x 33.0
Net Weight(Kg)	0.04 Around

## Outline Drawing (Size: mm)

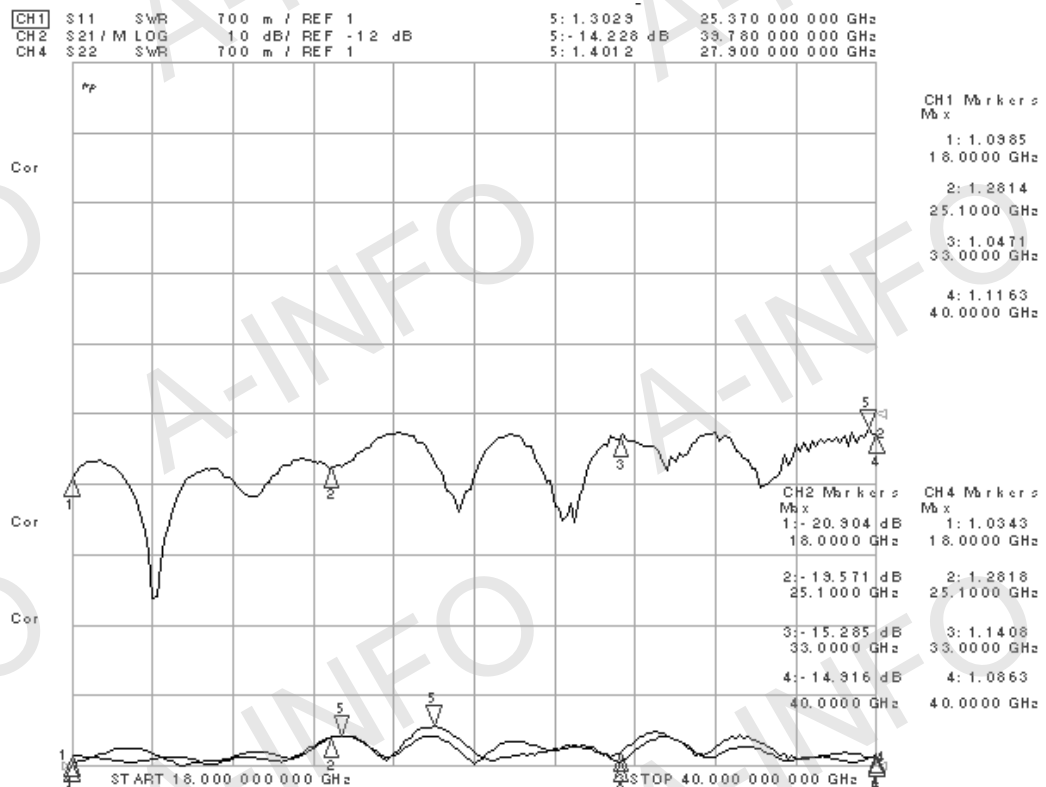


## Test Results

### Coupling



### Directivity



## Insertion Loss (Including the theoretical loss $4.35 \times 10^{-3}$ dB) & VSWR

