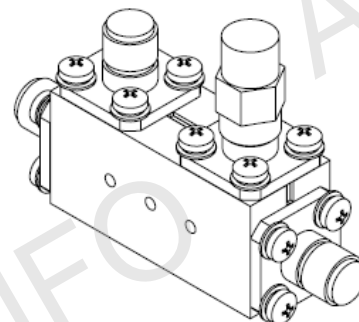
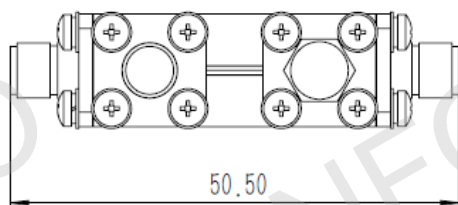
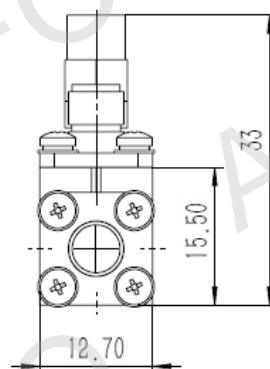
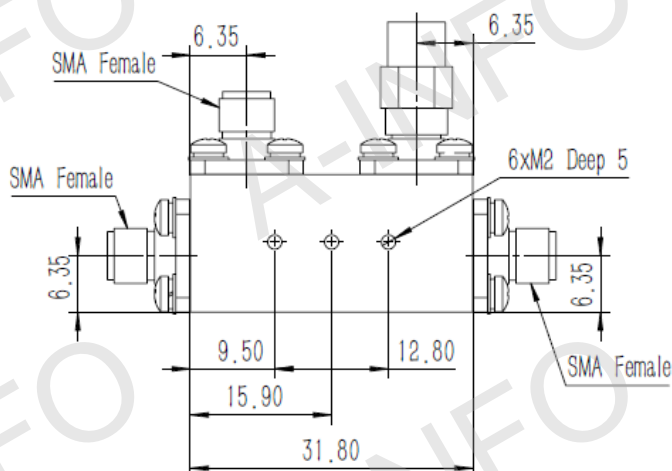


Technical Specification



Freq. Range(GHz)	18.0-26.5
Coupling(dB)	30
Accuracy(dB)	±0.5 Max.
Directivity(dB)	14 Min.
Mainline VSWR	1.4:1 Max.
Coupled VSWR	1.4:1 Max.
Insertion Loss(dB)	0.7 Max. (Not including the theoretical loss 4.35×10^{-3} dB)
Average Power(W)	20
Connectors	SMA-Female
Operating Temp.(°C)	-55~+85
N. W.(Kg)	0.02 Around

Outline Drawing (Size: mm)



AINFO Inc.

Page 1 of 3

China(Beijing):
China(Chengdu):
USA :

Tel: (+86) 10-6266-7326,
Tel: (+86) 28-8519-2786,
Tel: (+1) 949-639-9688,

(+86) 10-6266-7327
(+86) 28-8519-3044
(+1) 949-639-9608

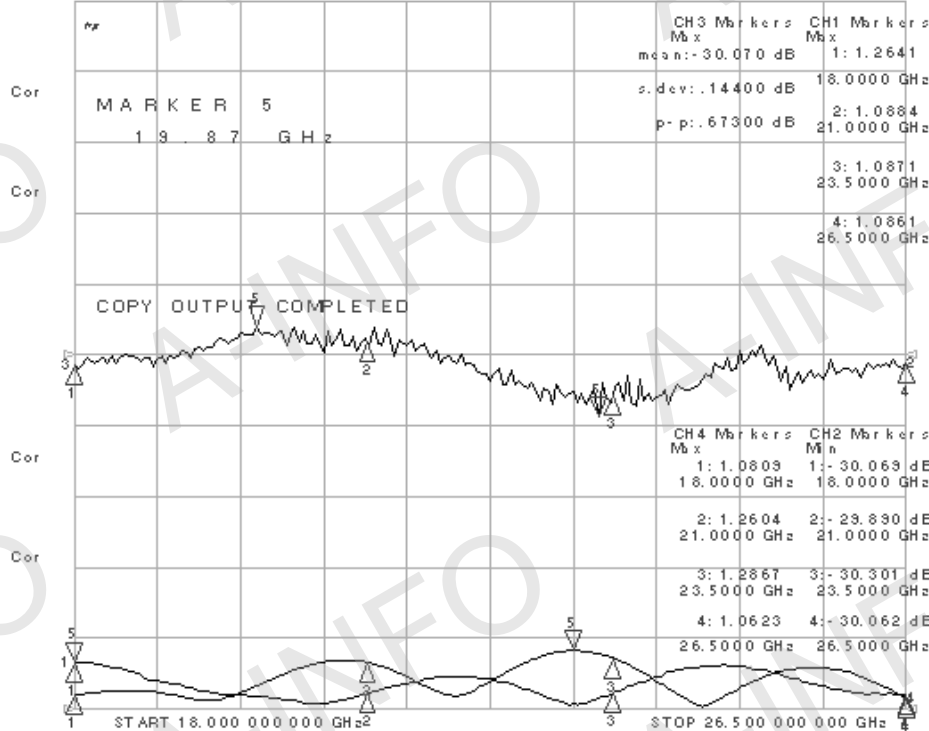
Fax: (+86) 10-6266-7379
Fax: (+86) 28-8519-3068
Fax: (+1) 949-639-9670

Website: www.ainfoinc.com
Email: sales@ainfoinc.com

Test Results

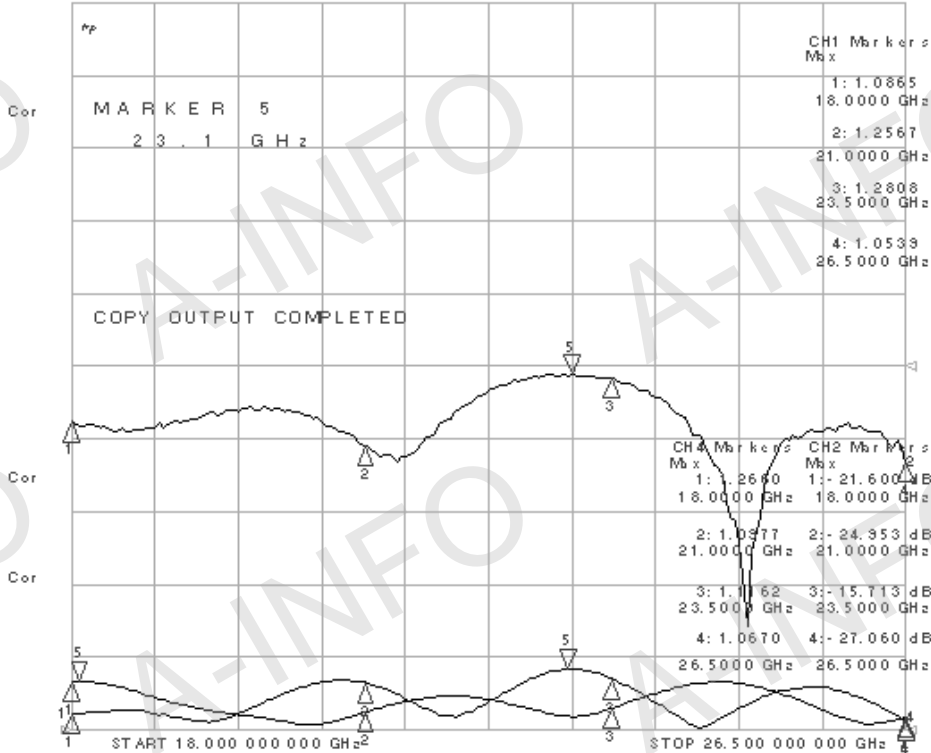
Coupling

CH1	S11	SWR	400 m / REF 1	5: 1.2645	18.000 000 000 GHz
CH2	S21	LOG	.5 dB/ REF -30 dB	5:-30.438 dB	23.355 000 000 GHz
CH3	S21	LOG	.5 dB/ REF -30 dB	5:-23.801 dB	19.870 000 000 GHz
CH4	S22	SWR	400 m / REF 1	5: 1.3295	23.100 000 000 GHz



Directivity

CH1	S11	SWR	400 m / REF 1	5: 1.3378	23.057 500 000 GHz
CH2	S12 / M	LOG	10 dB/ REF -14 dB	5:-15.198 dB	23.100 000 000 GHz
CH4	S22	SWR	400 m / REF 1	5: 1.2676	18.085 000 000 GHz



VSWR & I.L. (Including the theoretical loss 4.35×10^{-3} dB)

