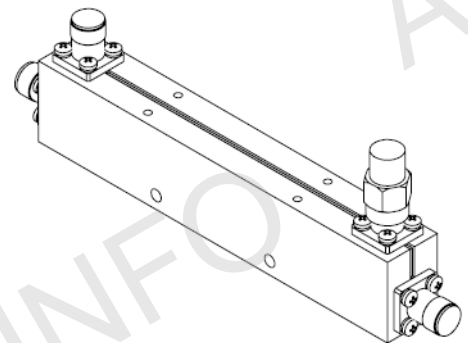
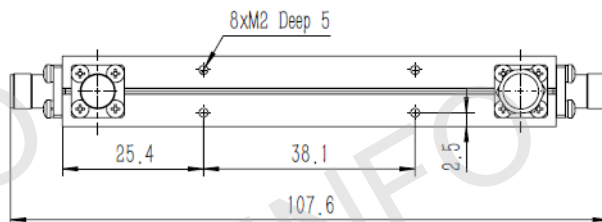
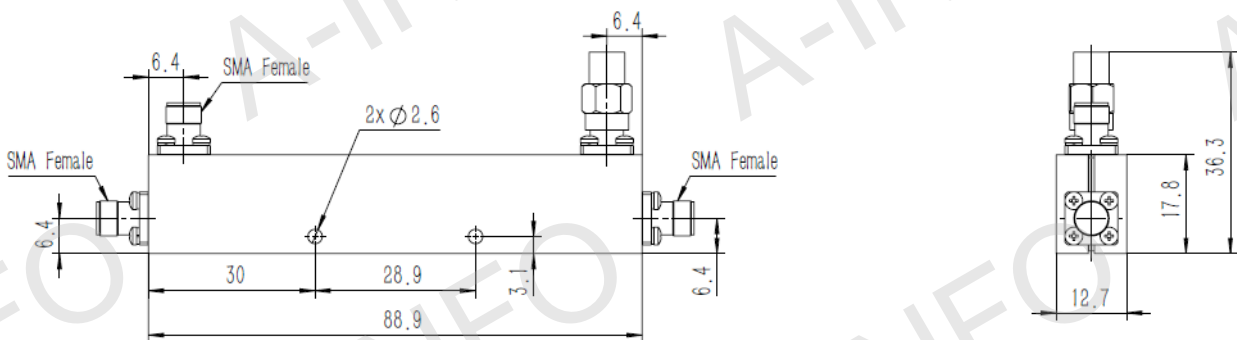


Technical Specification



Freq. Range(GHz)	1.0-20.0
Coupling(dB)	30
Accuracy(dB)	±0.6 Max.
Directivity(dB)	14 Min.
Mainline VSWR	1.4:1 Max.
Coupled VSWR	1.4:1 Max.
Insertion Loss(dB)	0.8 Max. (Not including the theoretical loss 4.35×10^{-3} dB)
Average Power(W)	20
Peak Power(KW)	3
Connectors	SMA-Female
Operating Temp.(°C)	-55~+85
Material	Al
Size(mm)	107.6 x 12.7 x 36.3
N. W.(Kg)	0.02 Around

Outline Drawing (Size: mm)



AINFO Inc.

Page 1 of 3

China(Beijing):
China(Chengdu):
USA :

Tel: (+86) 10-6266-7326,
Tel: (+86) 28-8519-2786,
Tel: (+1) 949-639-9688,

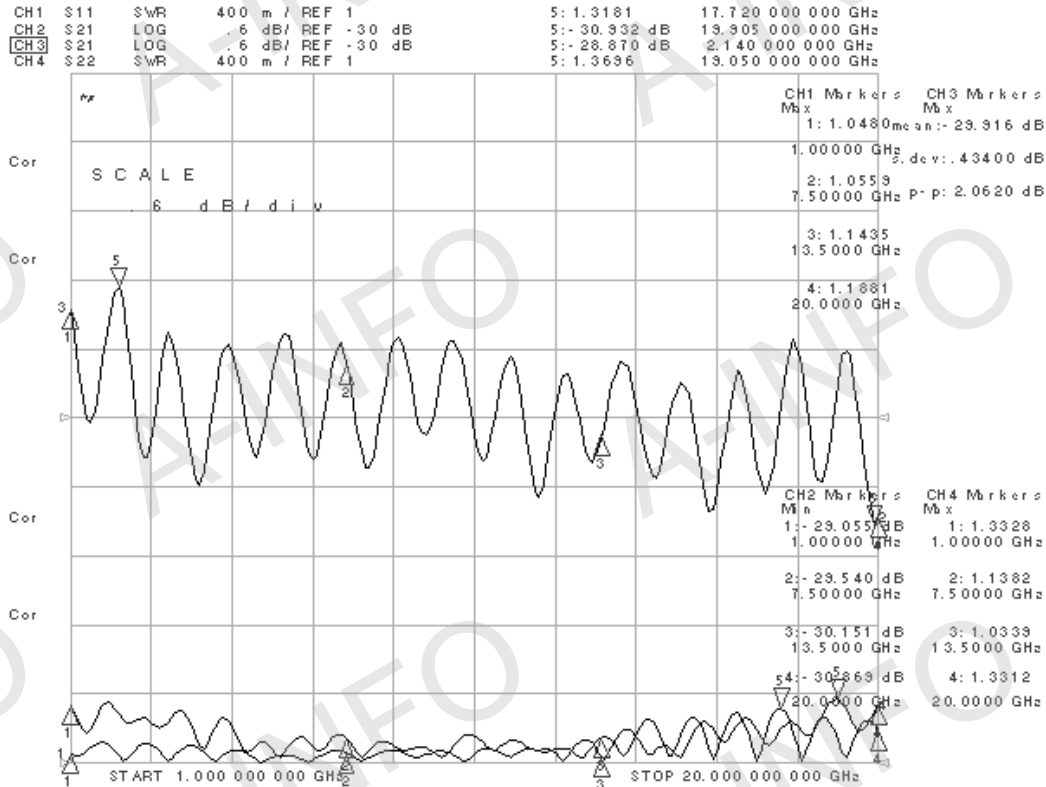
(+86) 10-6266-7327
(+86) 28-8519-3044
(+1) 949-639-9608

Fax: (+86) 10-6266-7379
Fax: (+86) 28-8519-3068
Fax: (+1) 949-639-9670

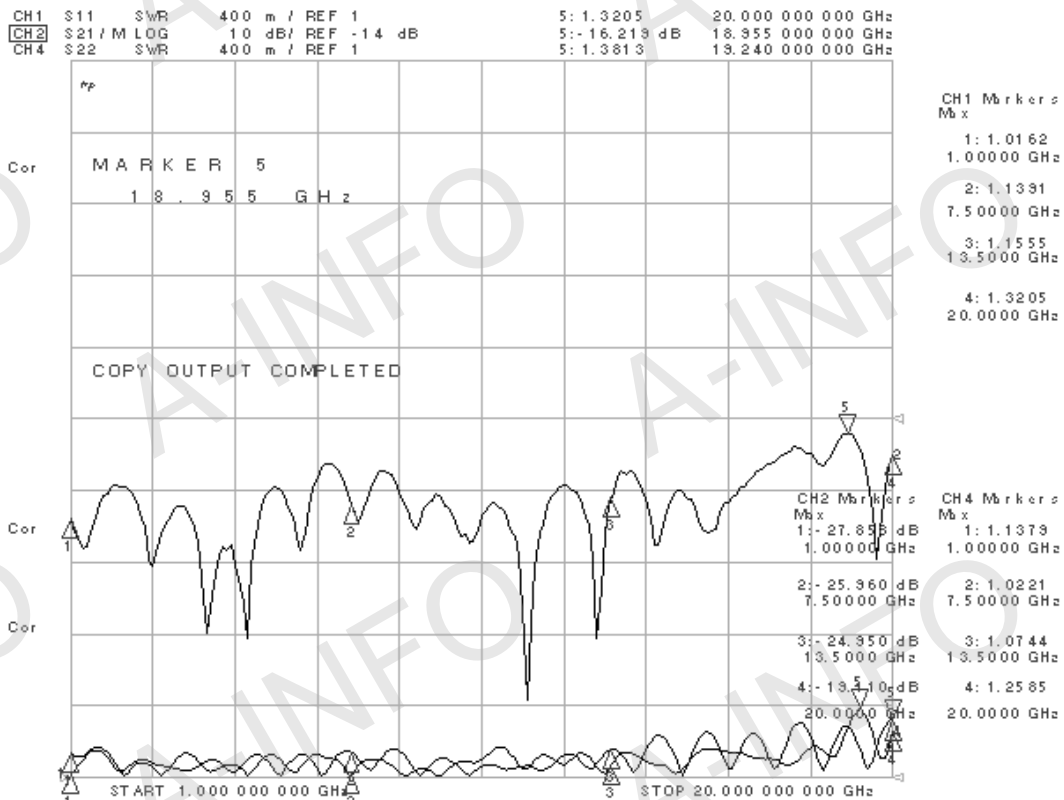
Website: www.ainfoinc.com
Email: sales@ainfoinc.com

Test Results

Coupling



Directivity



Insertion Loss (Including the theoretical loss 4.35×10^{-3} dB)

