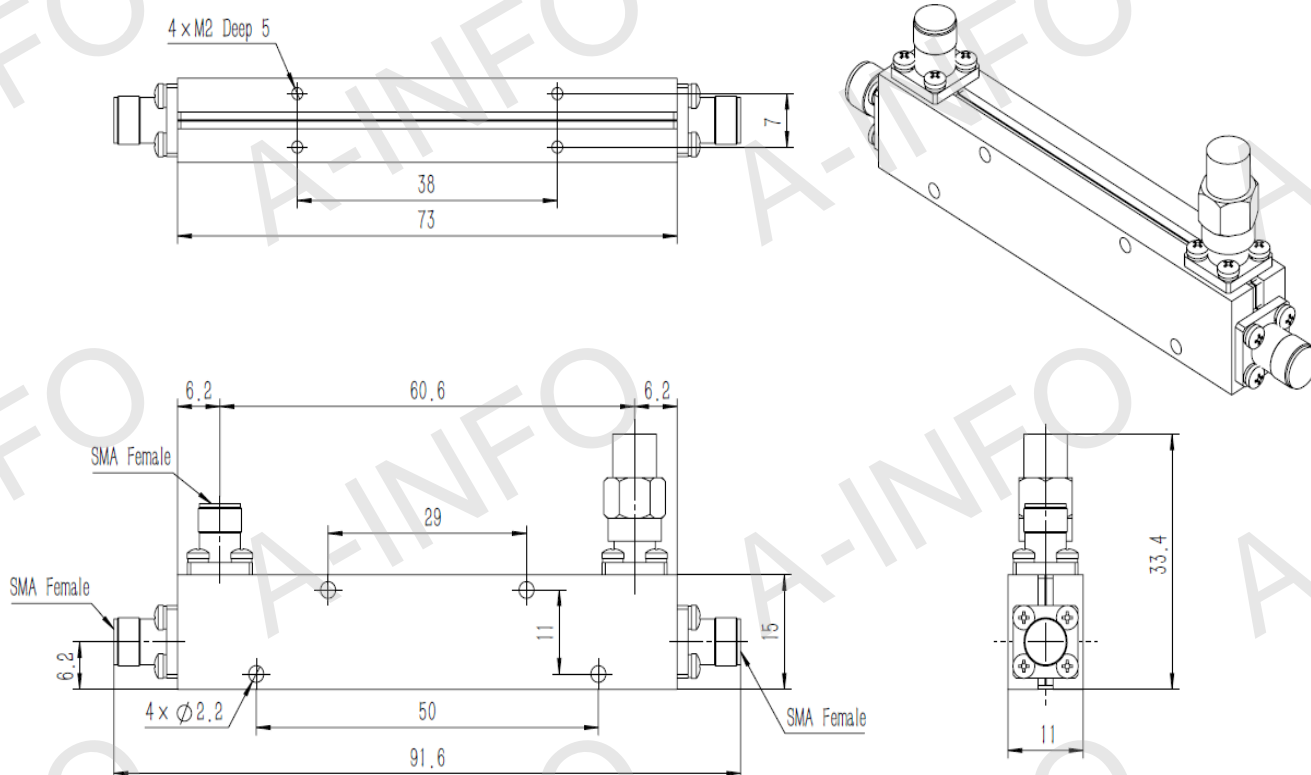


## Technical Specification



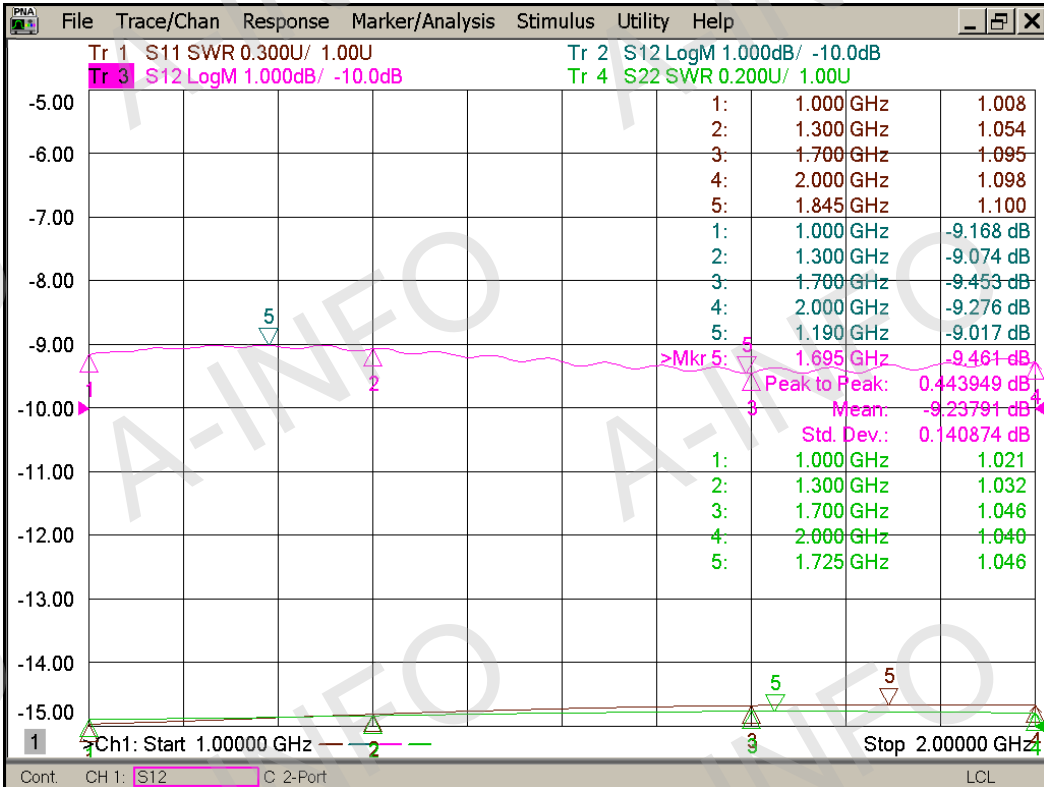
Freq. Range(GHz)	1.0-2.0
Coupling(dB)	10
Accuracy(dB)	±1.0 Max.
Directivity(dB)	20 Min.
Mainline VSWR	1.2:1 Max.
Coupled VSWR	1.3:1 Max.
Insertion Loss(dB)	0.5 Max. (Not including the theoretical loss 0.46dB)
Average Power(W)	50
Connectors	SMA-Female
Operating Temp.(°C)	-55~+85
N. W.(Kg)	0.02 Around

## Outline Drawing (Size: mm)

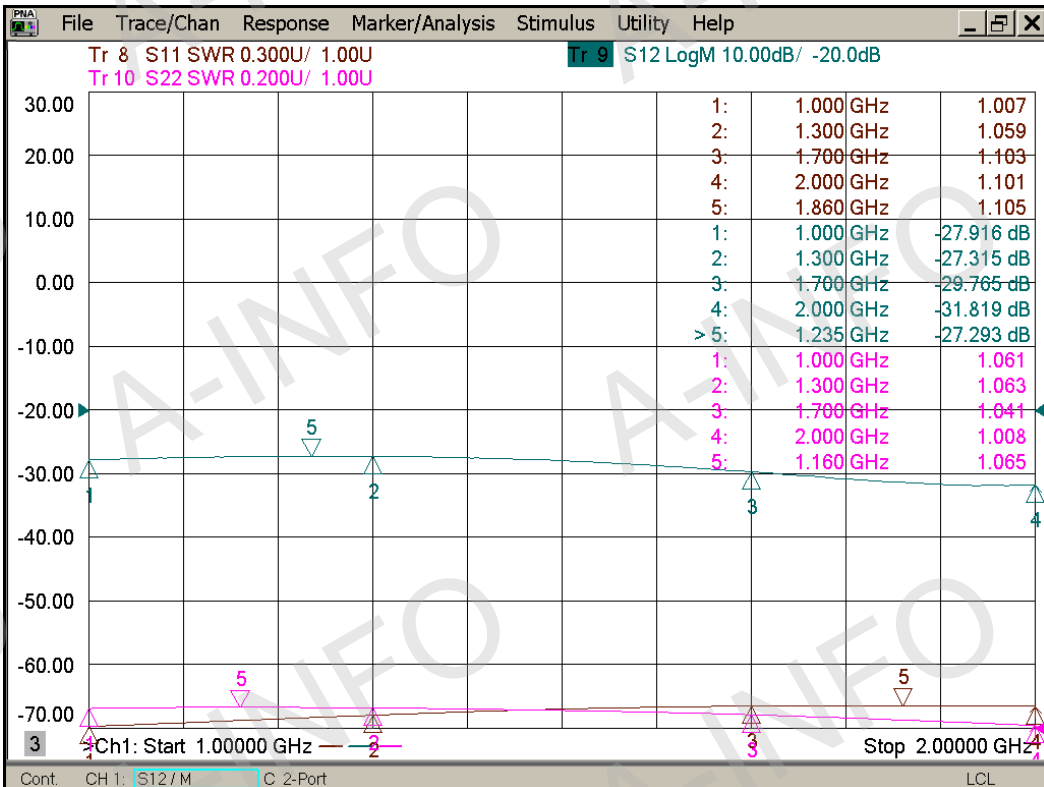


## Test Results

### Coupling



### Directivity



VSWR & I.L. (Including the theoretical loss 0.46dB)

