

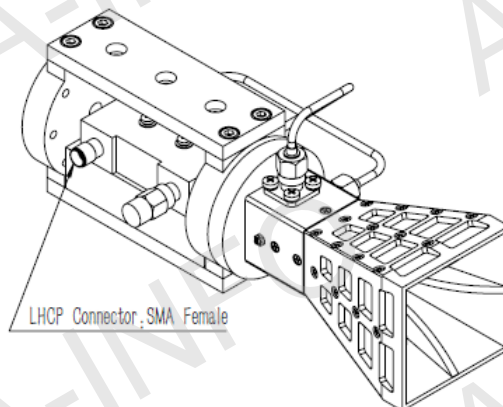
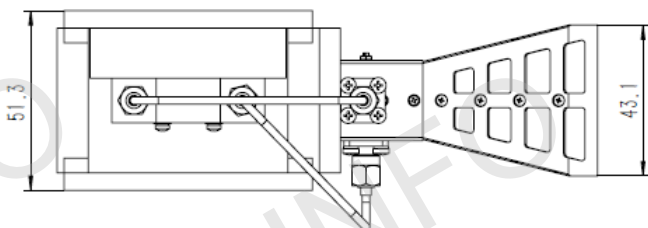
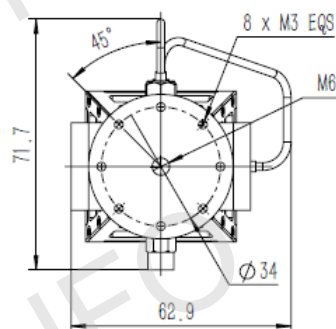
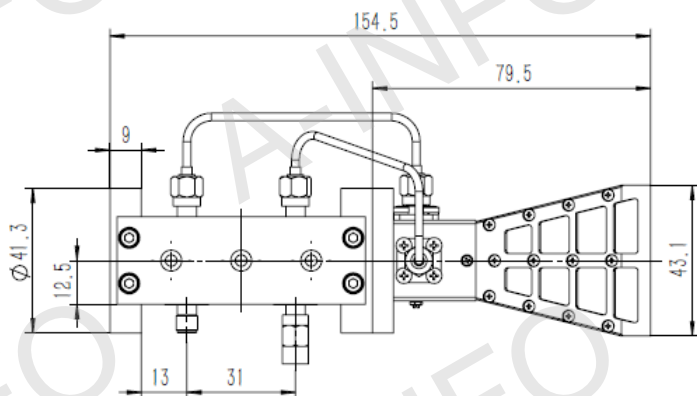
Technical Specification



Frequency Range(GHz)	6-18
Gain(dBi)	12 Typ.
Polarization	LHCP
Axial Ratio(dB)	2.0 Typ. 4.0 Max.
3dB Beamwidth(deg)	75-29
VSWR	2.0:1 Max.
Output	SMA Female
Power Handling(W)	20 Max. CW
Material	Al
Size(mm)	62.9 x 71.7 x 154.50
Net Weight(Kg)	0.34 Around

Outline Drawing (Size: mm)

SMA Female Output



AINFO Inc.

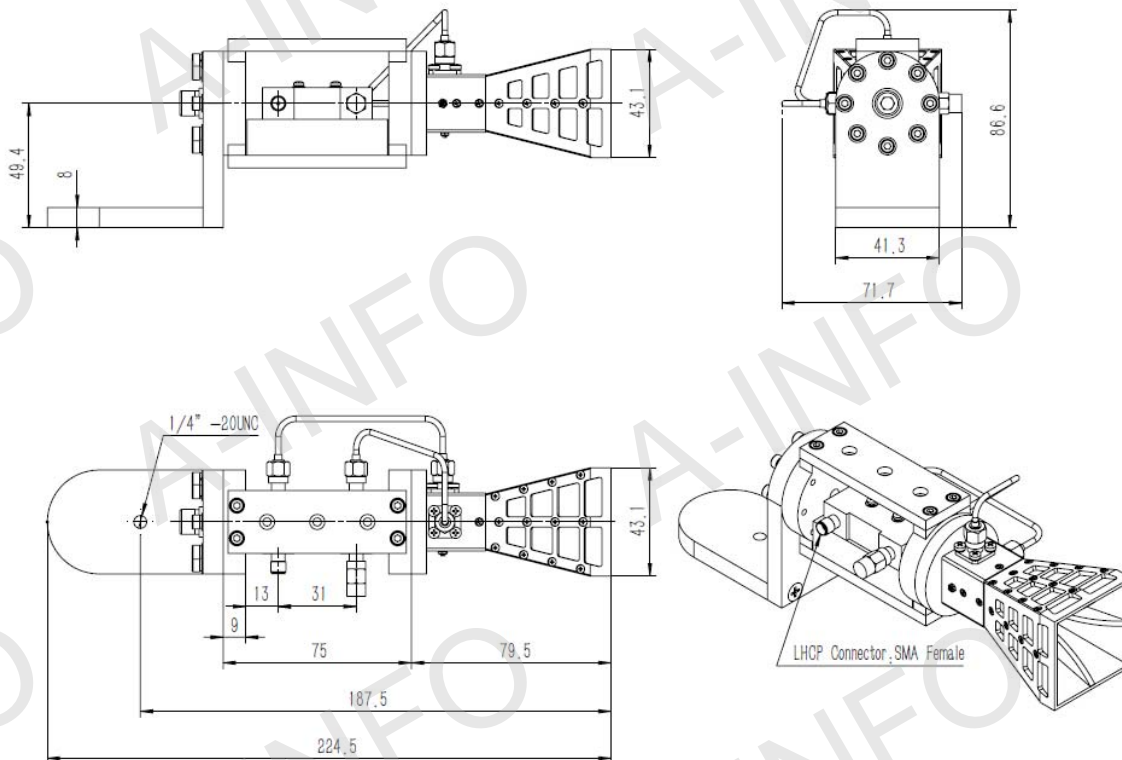
Page 1 of 10

China(Beijing): Tel: (+86) 10-6266-7326,
China(Chengdu): Tel: (+86) 28-8519-2786,
USA: Tel: (+1) 949-639-9688,

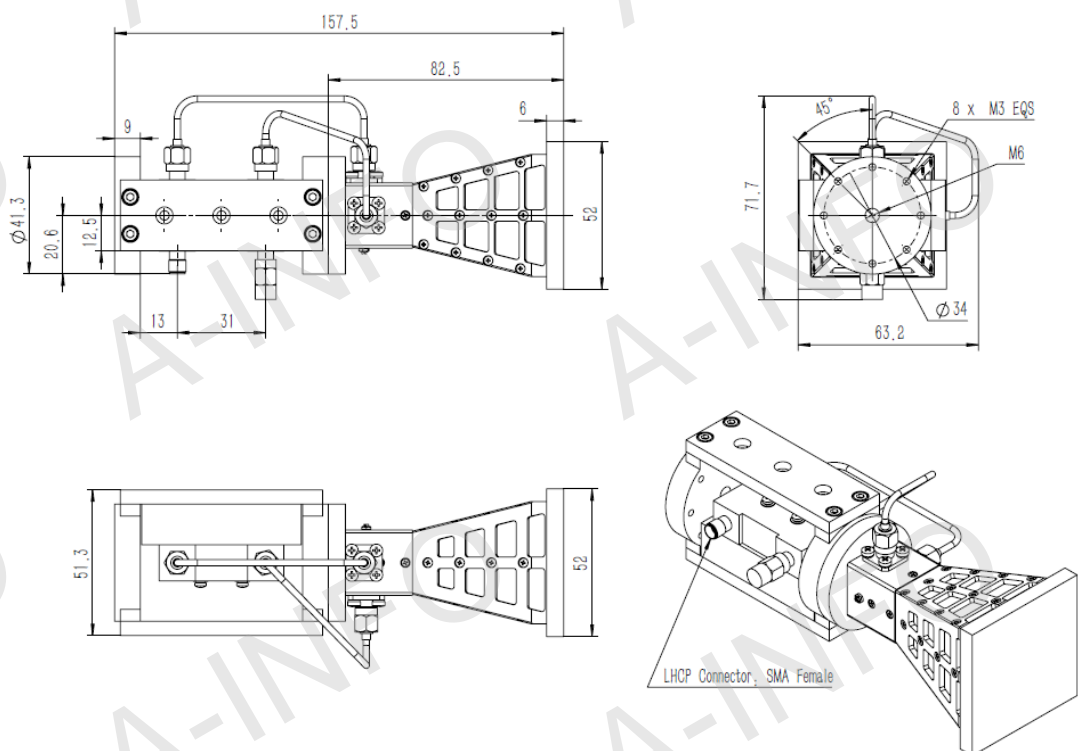
(+86) 10-6266-7327 Fax: (+86) 10-6266-7379
(+86) 28-8519-3044 Fax: (+86) 28-8519-3068
(+1) 949-639-9608 Fax: (+1) 949-639-9670

Website: www.ainfoinc.com
Email: sales@ainfoinc.com

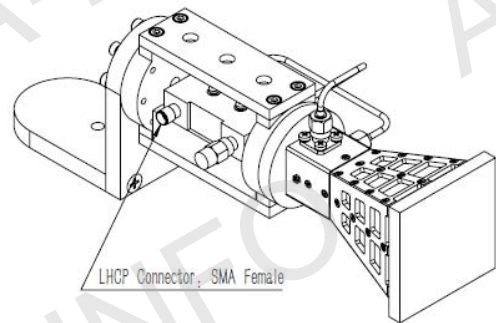
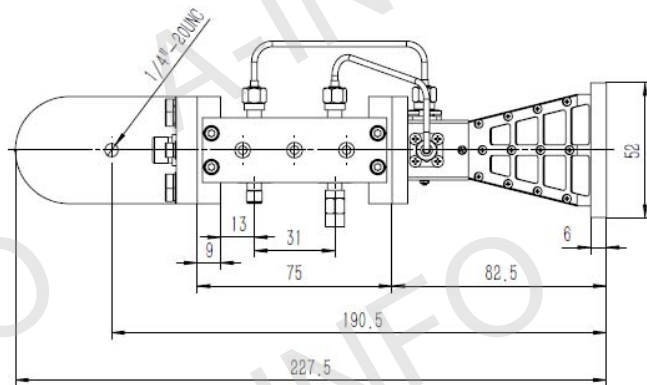
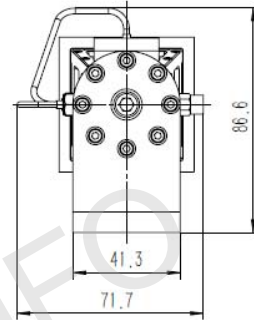
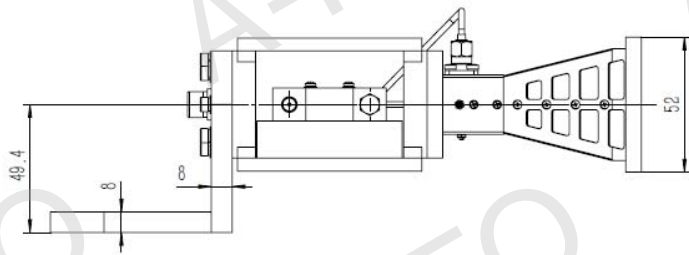
SMA Female Output with L type mounting bracket



SMA Female Output with Radome

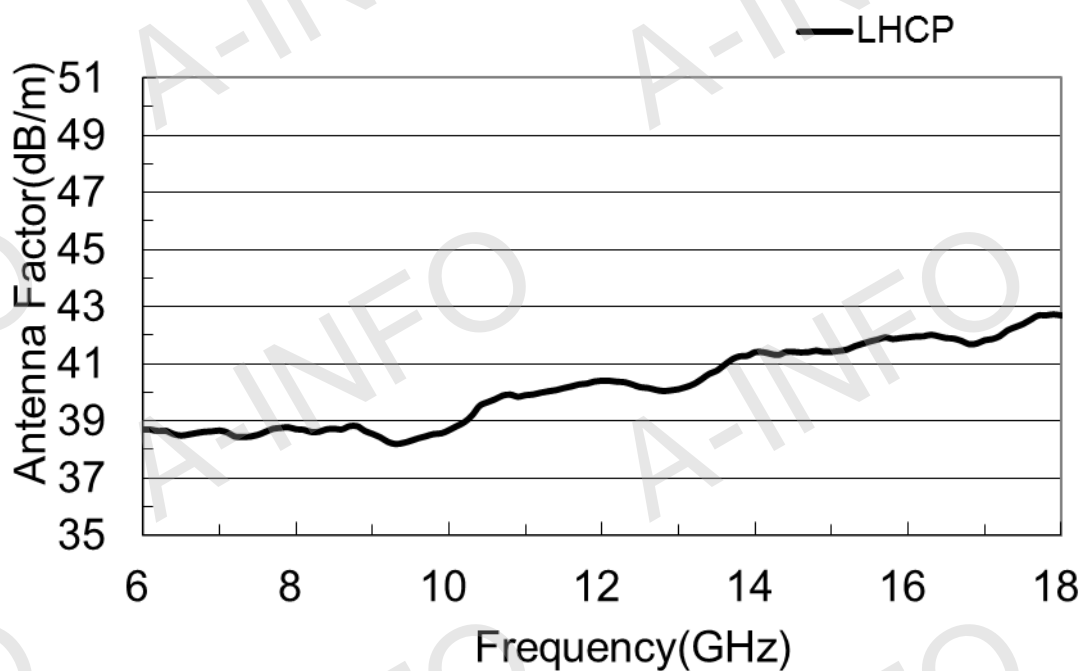
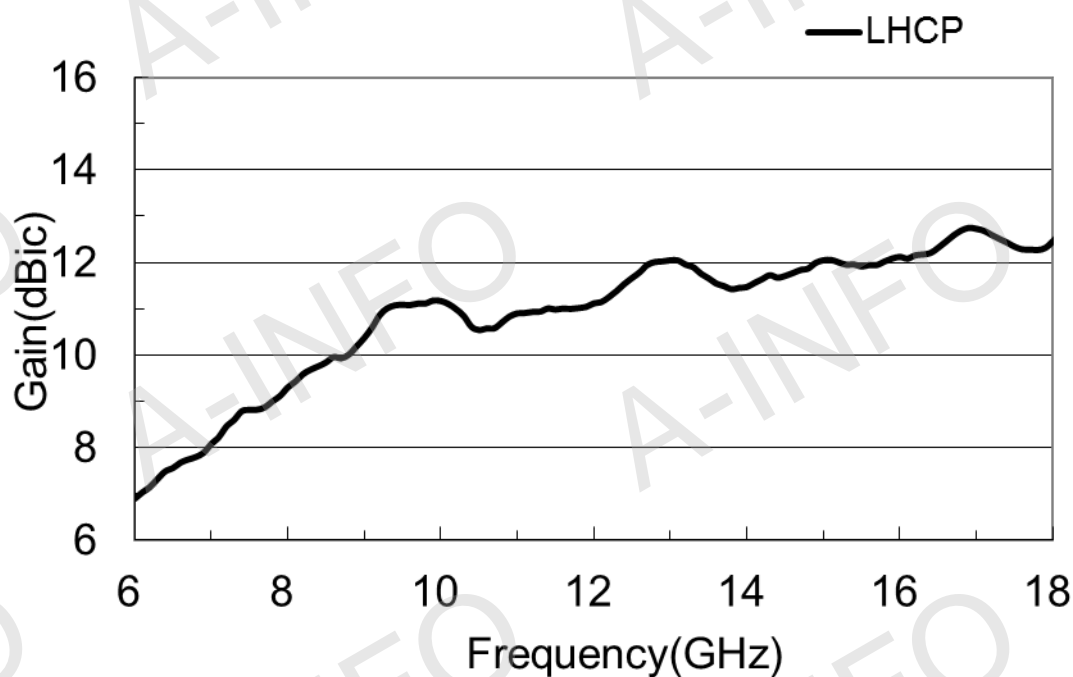


SMA Female Output with Radome & L type mounting bracket

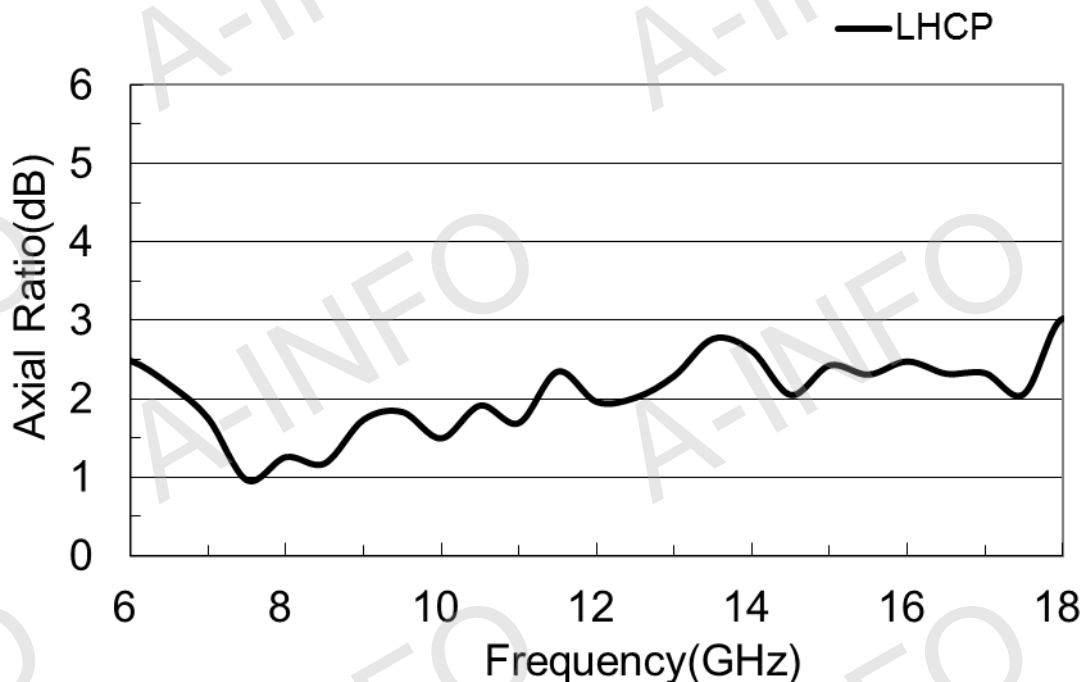


Test Results

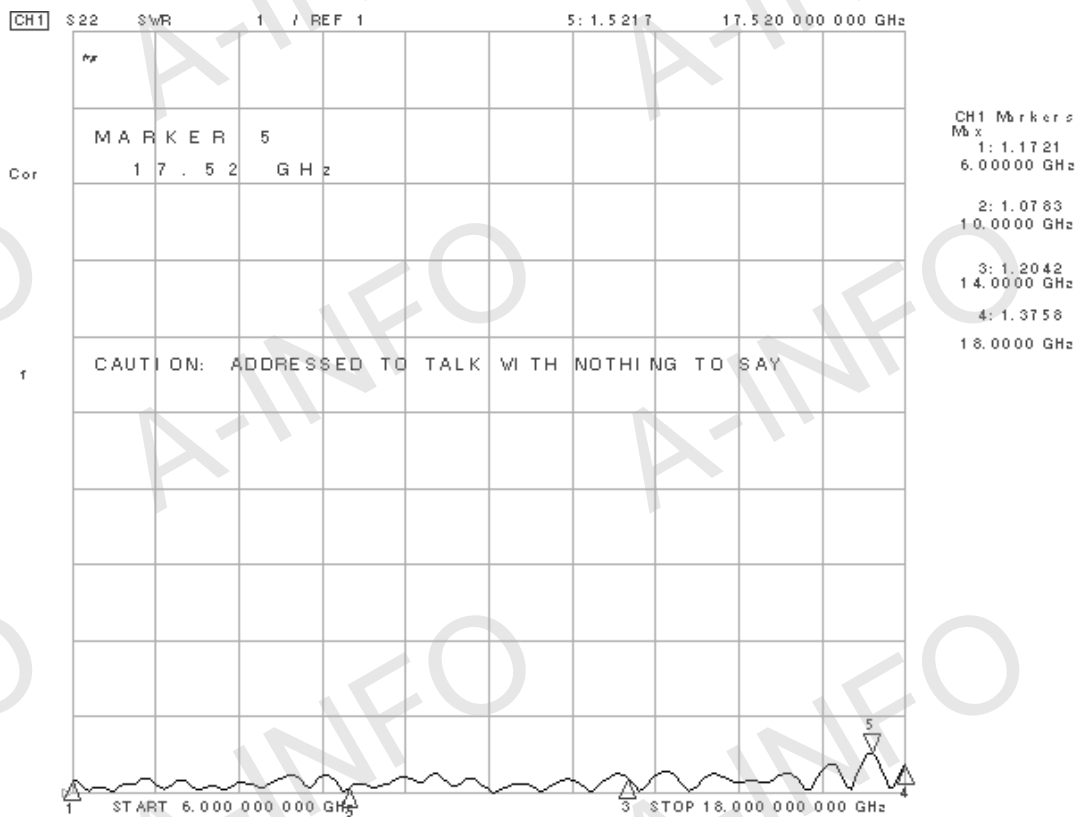
1. Gain& Antenna Factor



2. Axial Ratio



3. VSWR



4. Pattern

