

Technical Specification



Feed Source

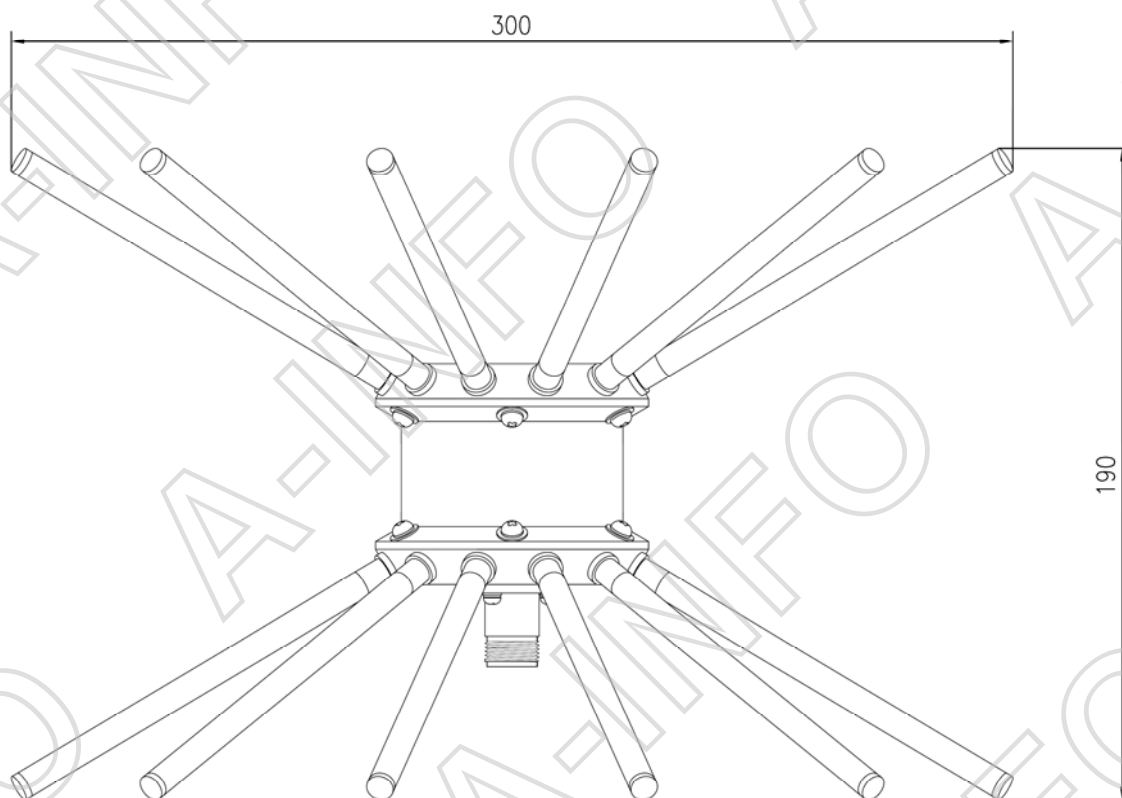


Finished Picture
(Including Mounting Kit)

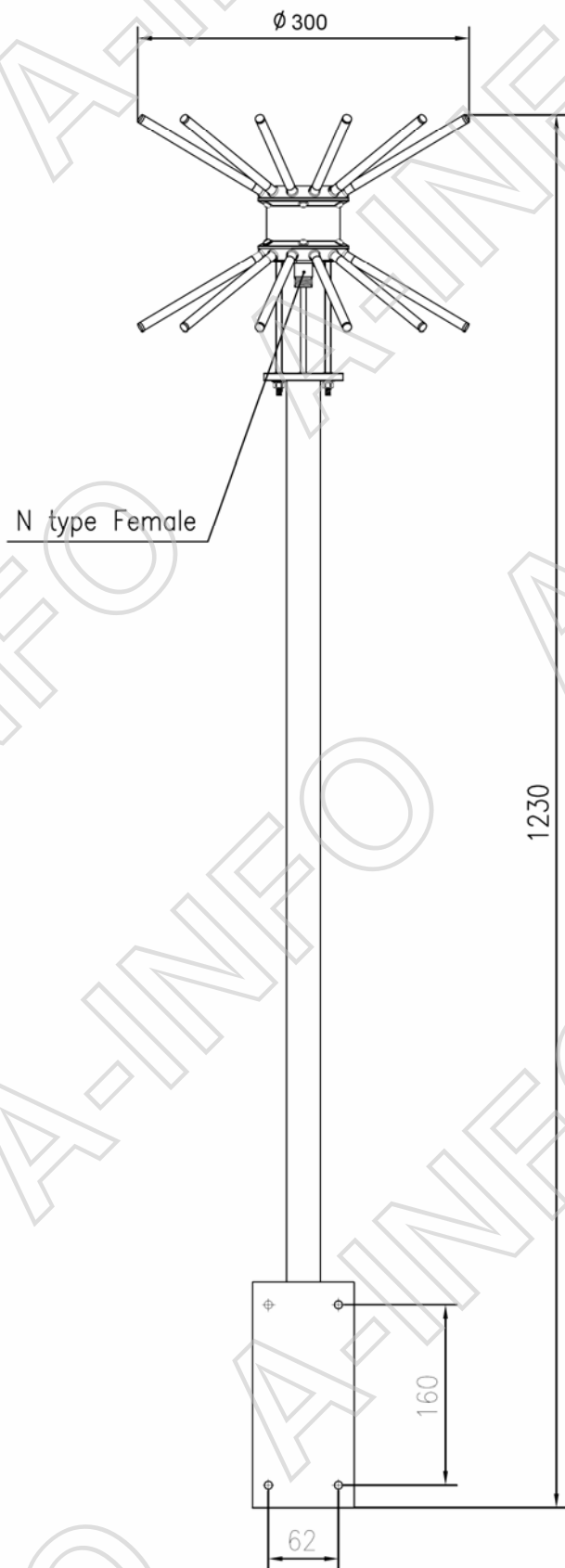
Frequency Range(GHz)	0.5 - 3.0
Polarization	Vertical
Gain(dB)	0 Typ.
VSWR	3:1 Max
Power (W)	100 CW
Connector	N -Female
Size(mm)	(Φ)300 x (H)190 approx. (Not Including Mounting Kit)
	(H)1230 approx. (Including Mounting Kit)
Net Weight(Kg)	1.0 Around (Not Including Mounting Kit)
	2.5 Around (Including Mounting Kit)

Outline Drawing (Size: mm)

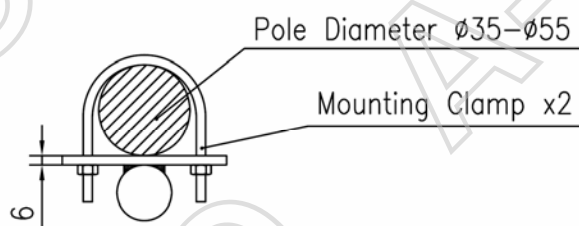
Not Including Mounting Bracket



Including Mounting Kit

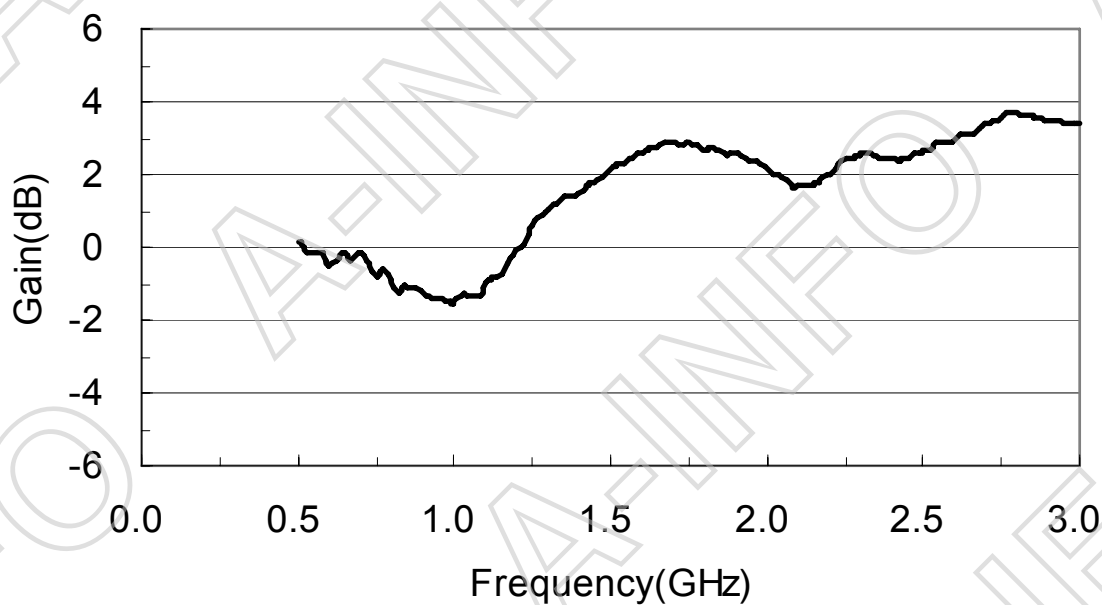


Mounting Pole

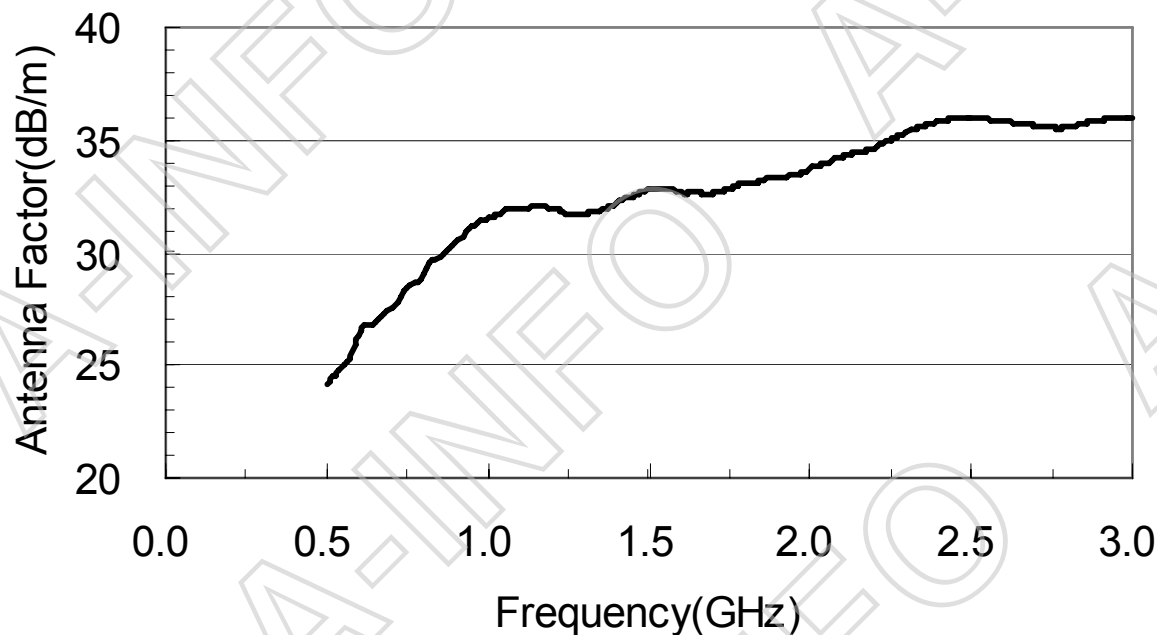


Test Results

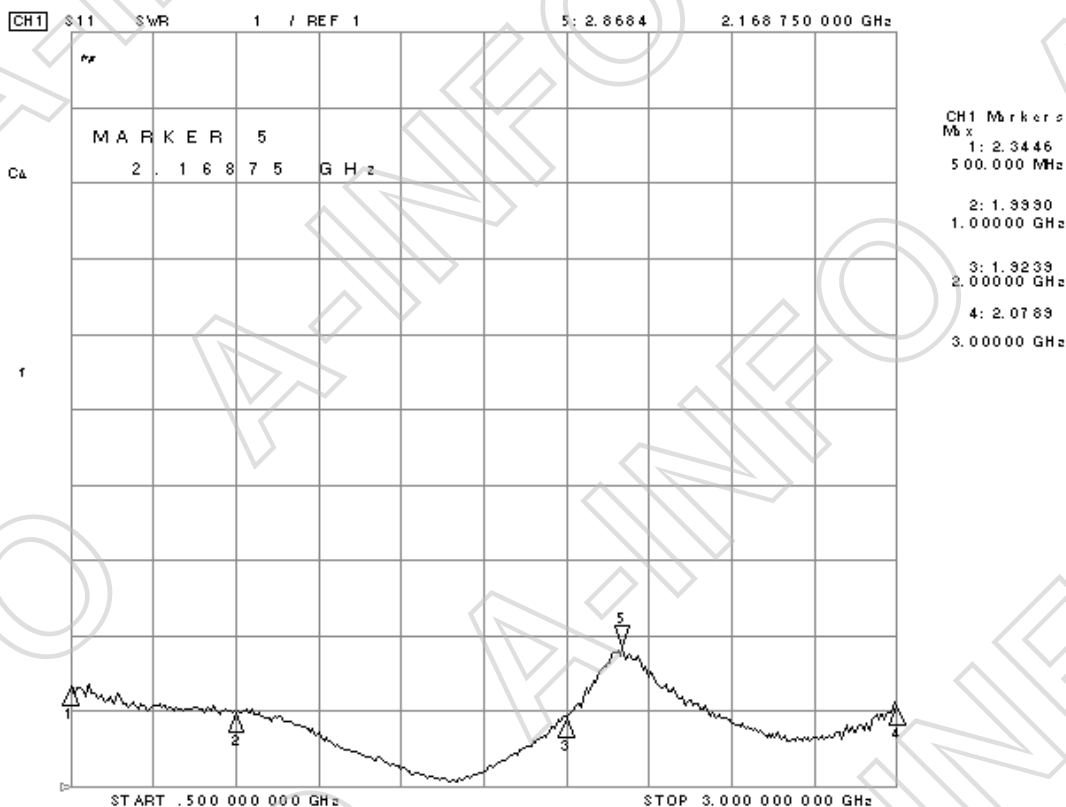
1. Gain



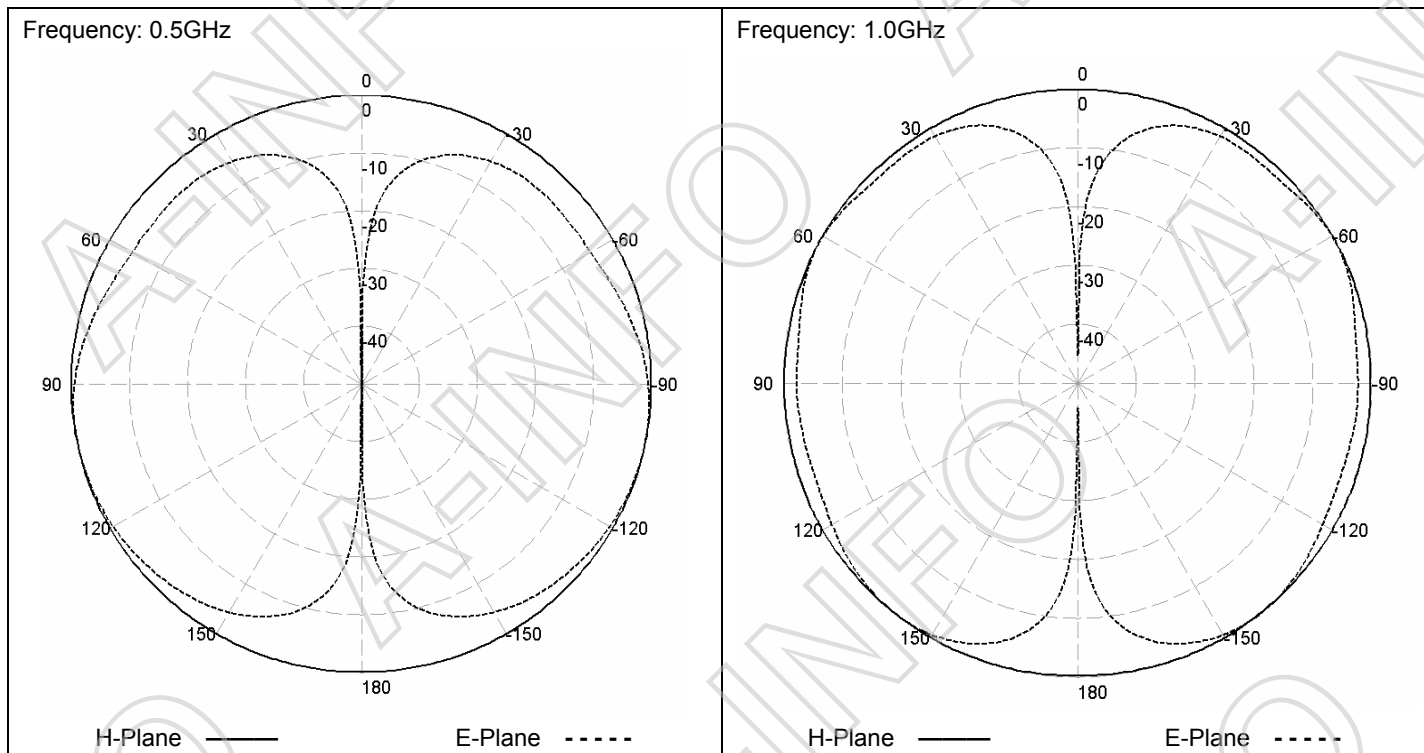
2. Antenna Factor

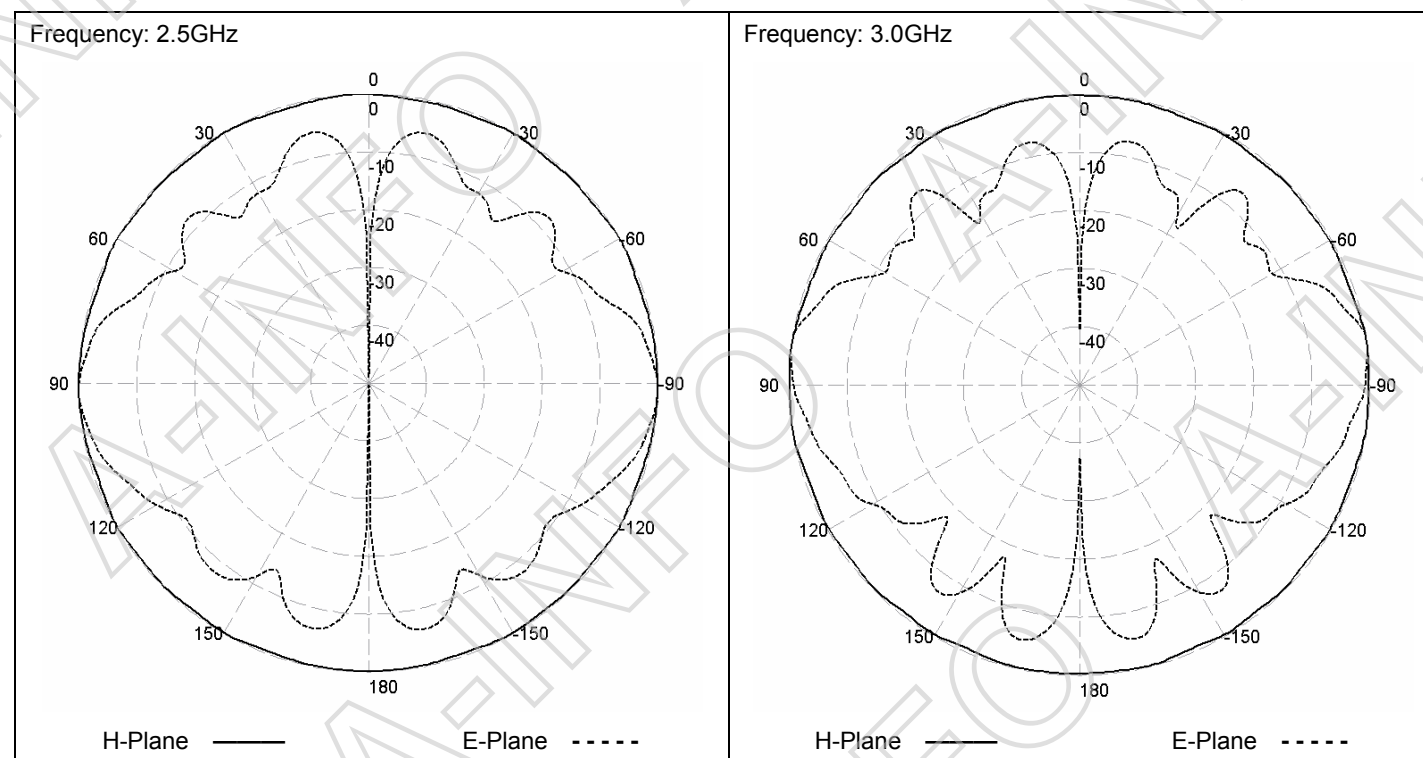
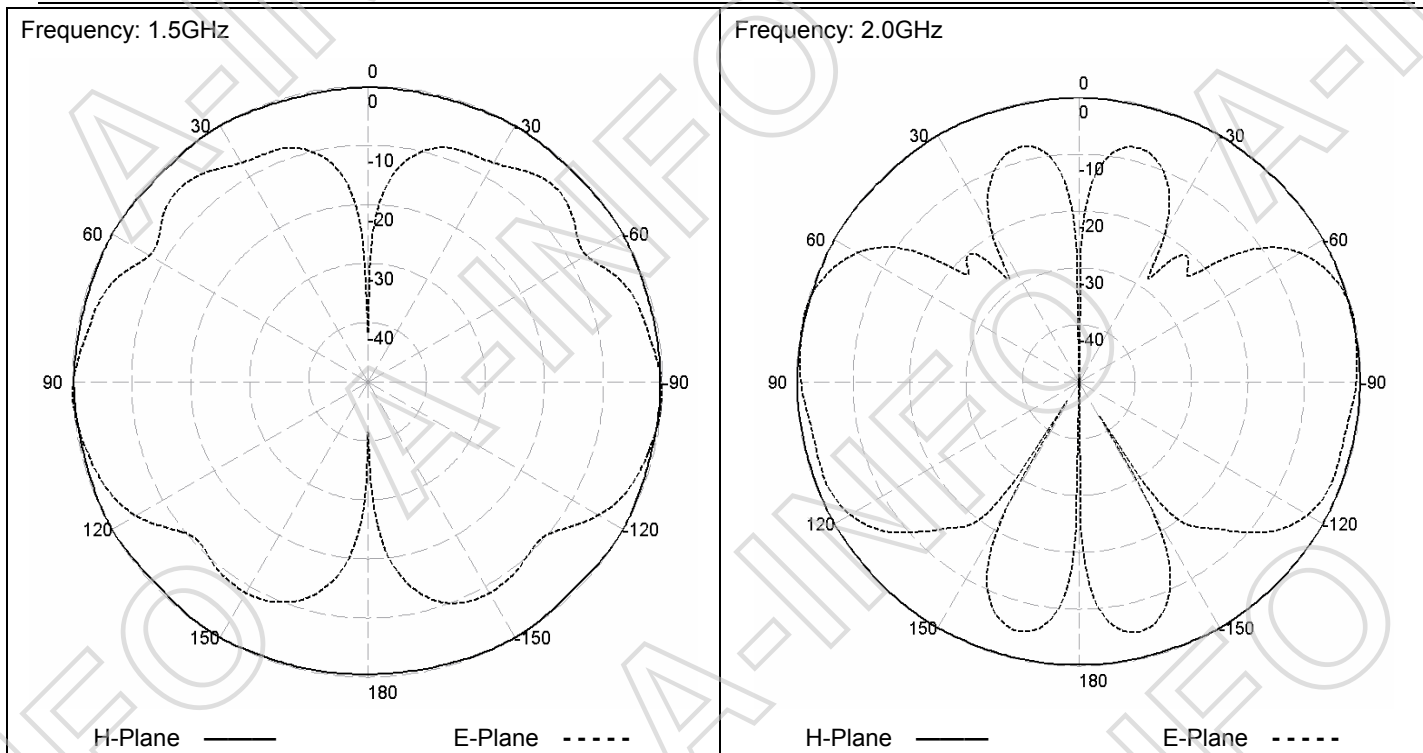


3. VSWR



4. Pattern





About Installation Manual of SZ-50300/P, pls. refer to the installation manual of SZ-20300.