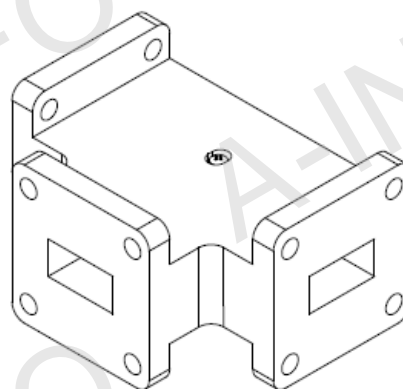
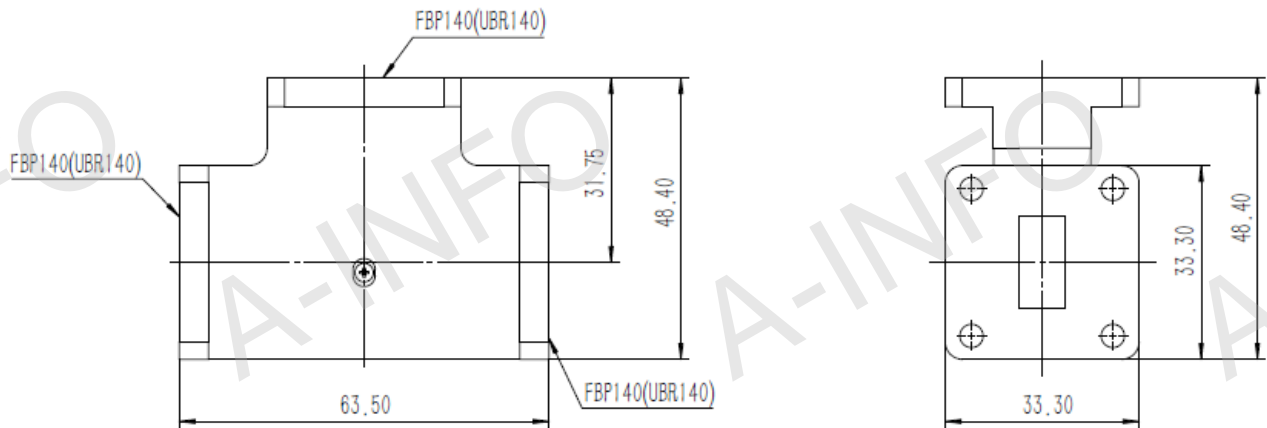


Technical Specification

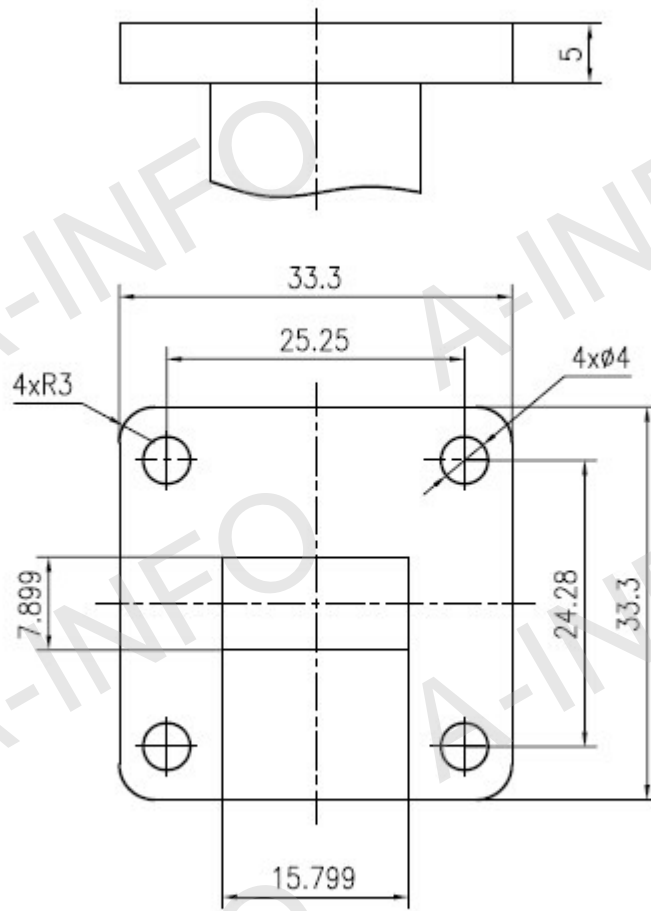


Frequency Range(GHz)	12.4 - 18.0
VSWR	1.5:1 Typ.
Unbalance(dB)	±0.25
Band Width	FULL
Waveguide	WR62
Flange Type	FBP140(UBR140)
Size(mm)	63.5x33.3x48.4
Material	Al
Net Weight(Kg)	0.1 Around

Outline Drawing (Size: mm)



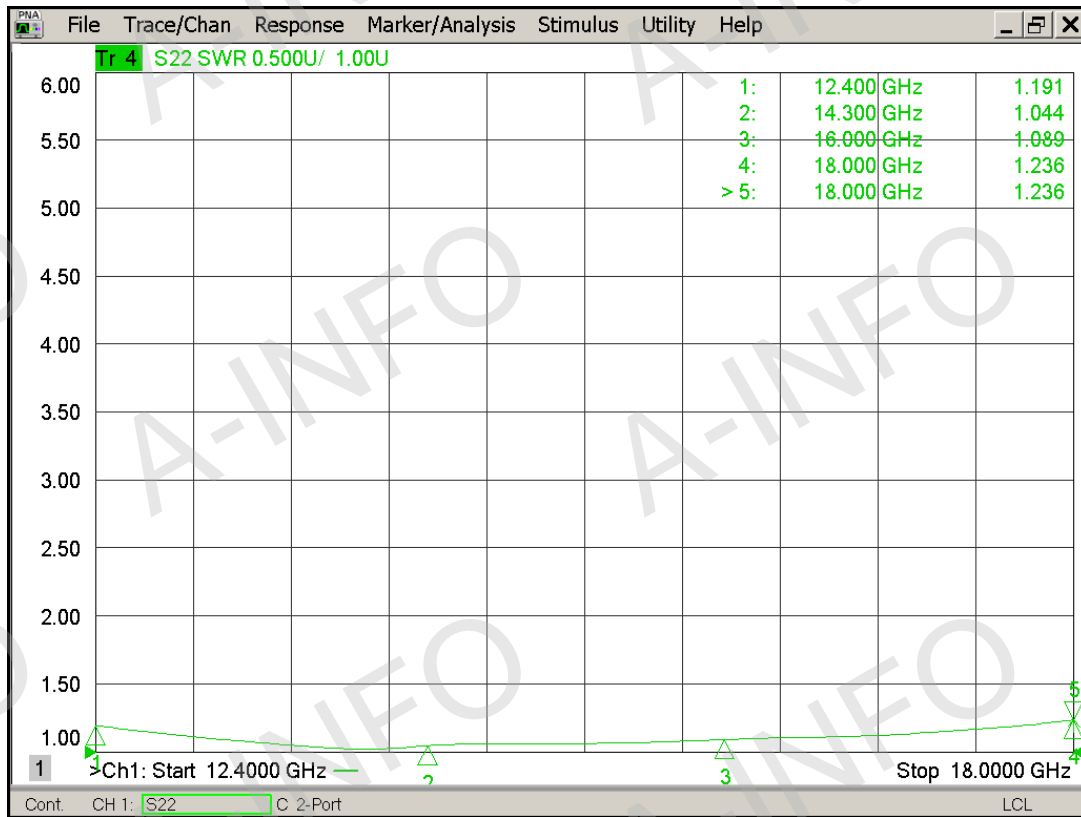
Flange Drawing (Size: mm)



FBP140

Test Results

VSWR



Unbalance

