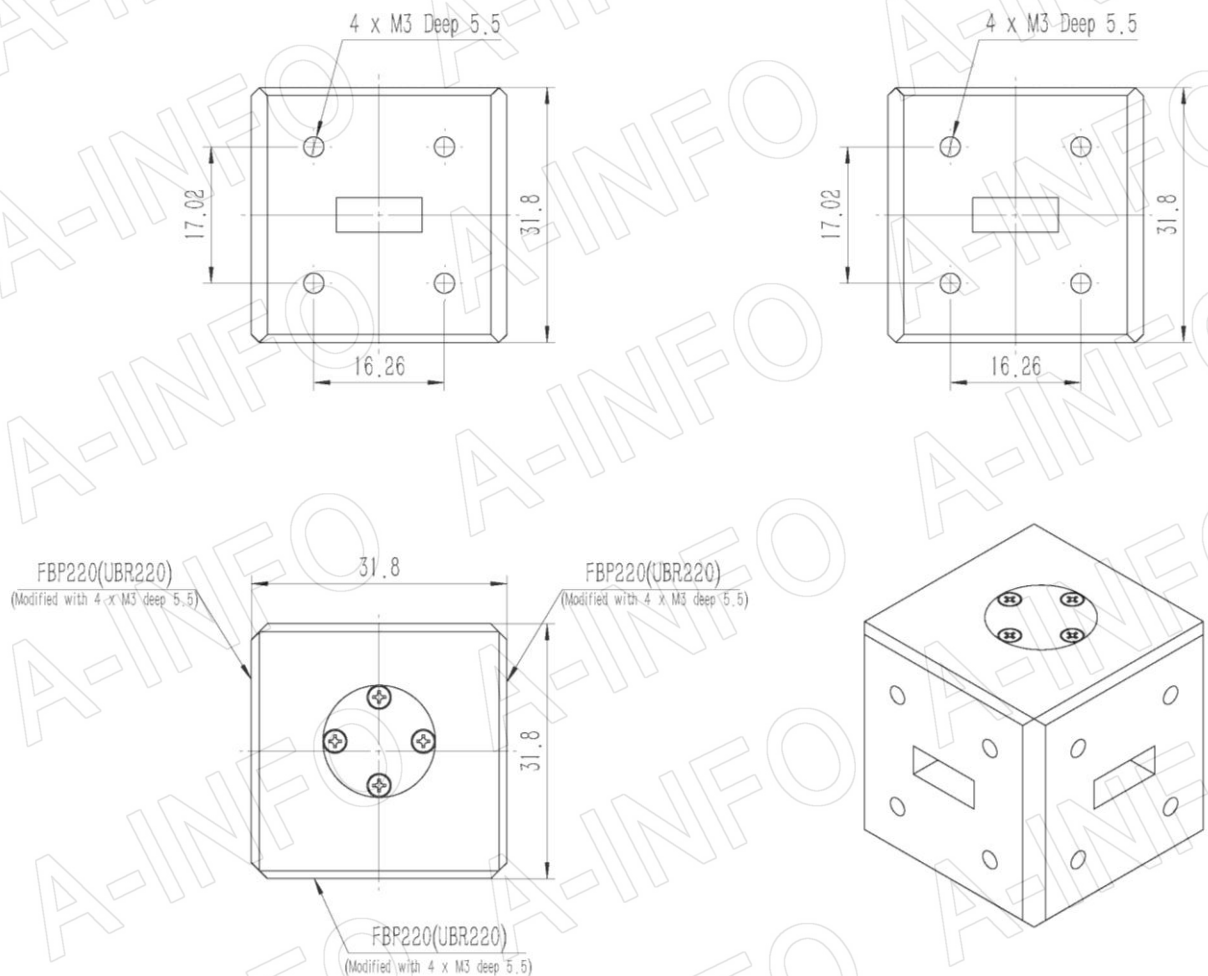


## Technical Specification



Waveguide	WR42
Frequency Range(GHz)	18.0 - 26.5
Band Width	FULL
Insertion Loss(dB)	0.2 Max. (Not including the Theoretical loss 3.0dB)
VSWR	1.5:1 Typ.
Amplitude Balance(dB)	±0.3 Max.
Phase Balance(°C)	±5 Max.
Flange	FBP220(UBR220) (Modified with 4xM3 Deep5.5)
Material	Cu
Size(mm)	31.8 x 31.8 x 31.8
Net Weight(Kg)	0.24 Around

## Outline Drawing (Size: mm)



**AINFO Inc.**

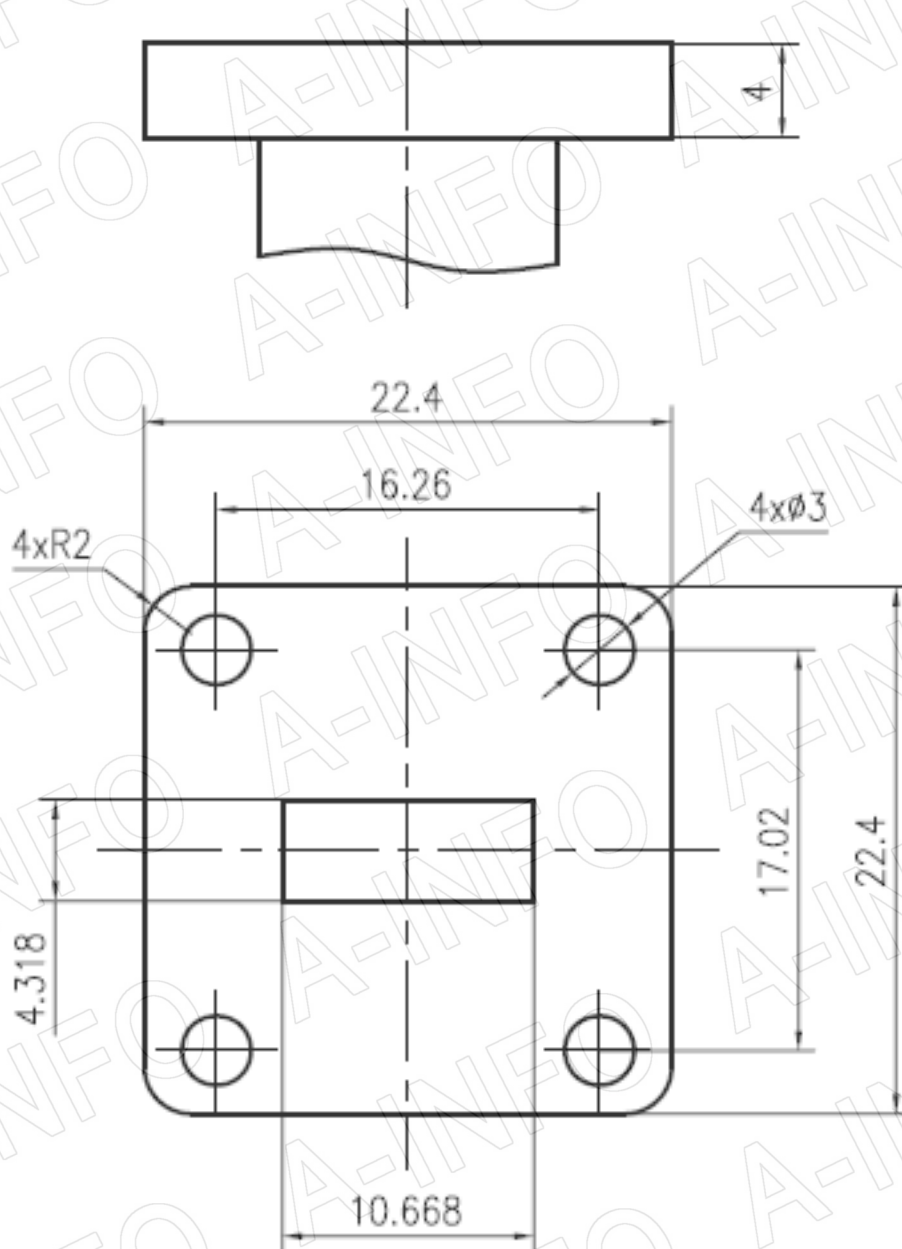
China(Beijing): Tel: (+86) 10-6266-7326,  
China(Chengdu): Tel: (+86) 28-8519-2786,  
USA: Tel: (+1) 949-639-9688,

(+86) 10-6266-7327 Fax: (+86) 10-6266-7379  
(+86) 28-8519-3044 Fax: (+86) 28-8519-3068  
(+1) 949-639-9608 Fax: (+1) 949-639-9670

Page 1 of 4

Website: [www.ainfoinc.com](http://www.ainfoinc.com)  
Email: [sales@ainfoinc.com](mailto:sales@ainfoinc.com)

## Flange Drawing (Size: mm)



**FBP220**

**AINFO Inc.**

China(Beijing): Tel: (+86) 10-6266-7326,  
China(Chengdu): Tel: (+86) 28-8519-2786,  
USA: Tel: (+1) 949-639-9688,

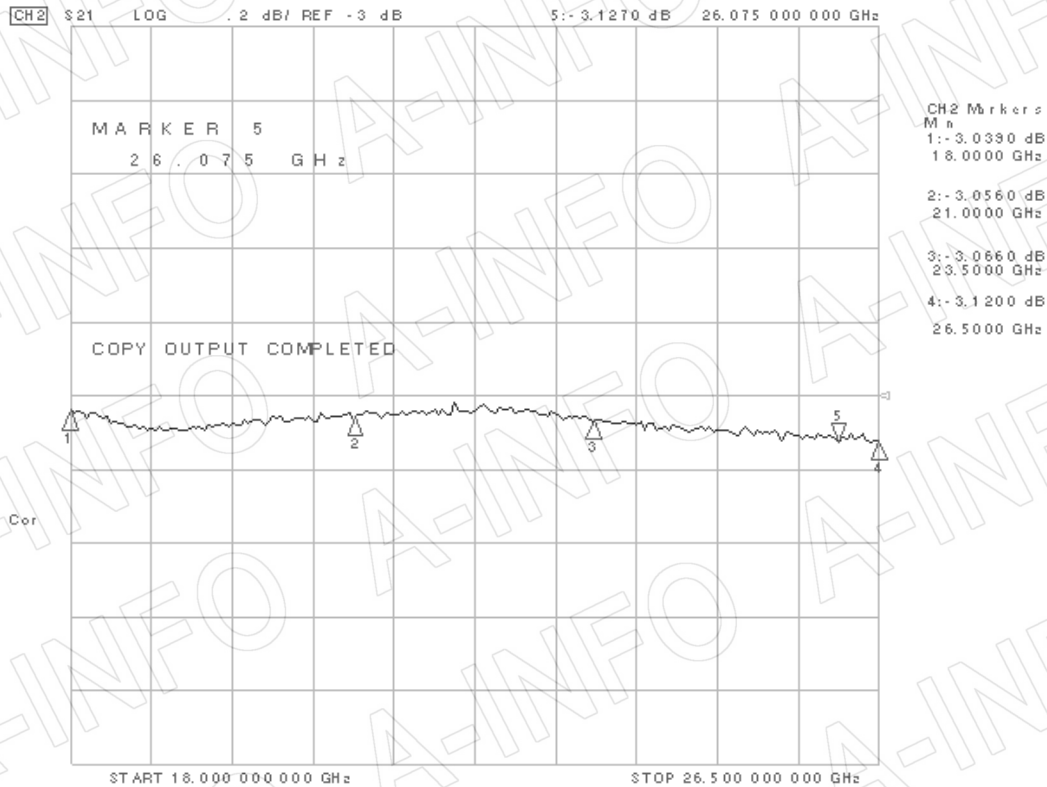
Page 2 of 4

(+86) 10-6266-7327 Fax: (+86) 10-6266-7379  
(+86) 28-8519-3044 Fax: (+86) 28-8519-3068  
(+1) 949-639-9608 Fax: (+1) 949-639-9670

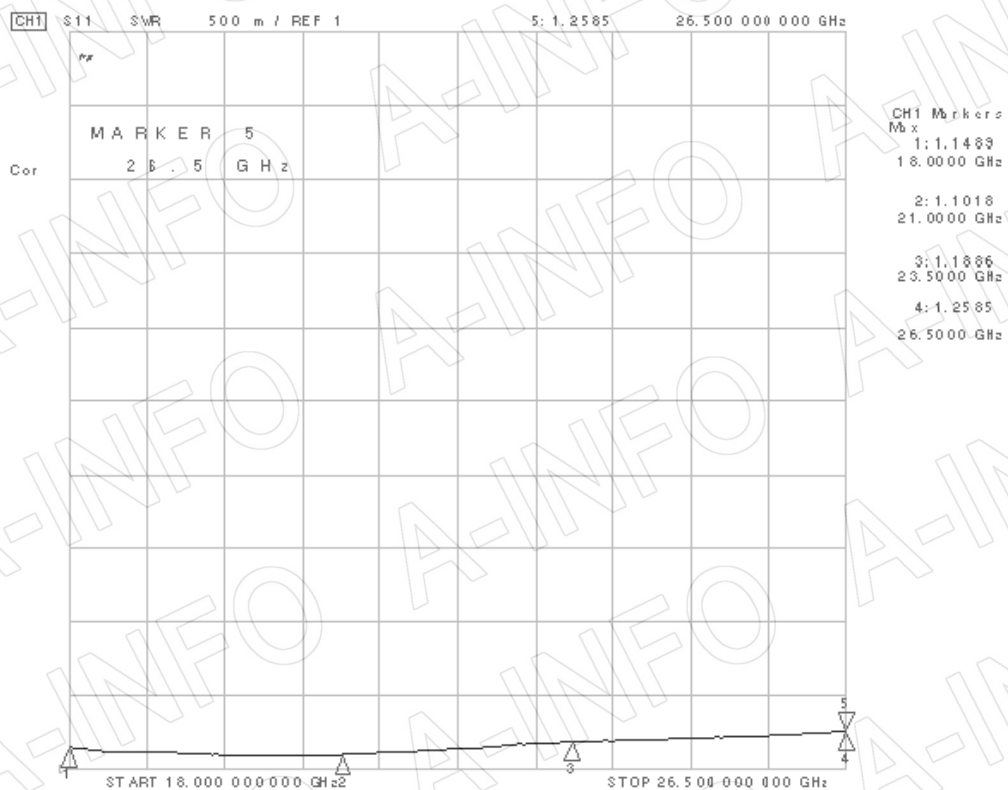
Website: [www.ainfoinc.com](http://www.ainfoinc.com)  
Email: [sales@ainfoinc.com](mailto:sales@ainfoinc.com)

## Test Results

### 1. Insertion Loss(Including the theoretical loss3.0dB)

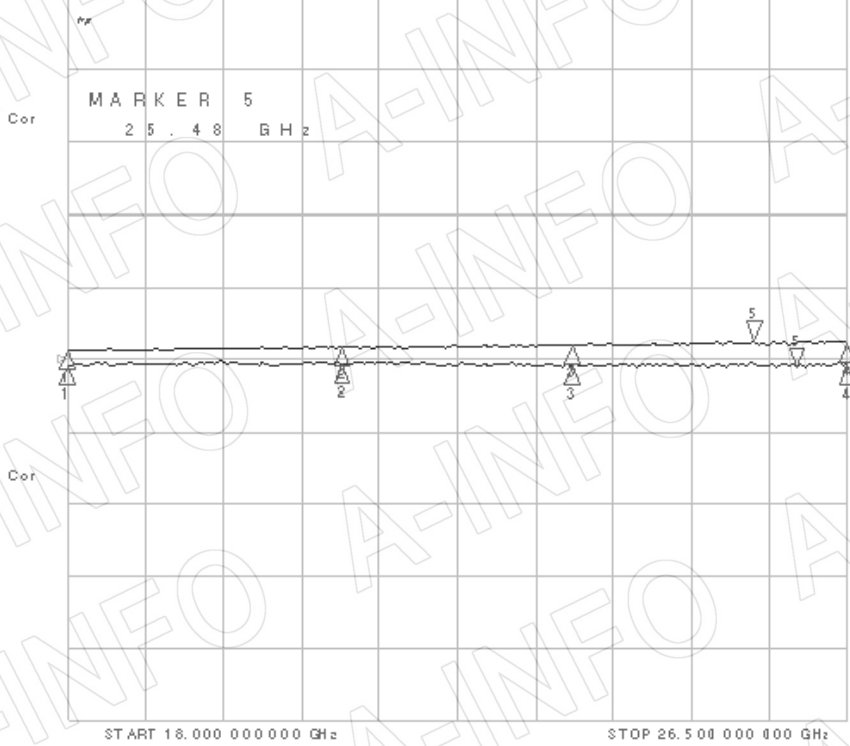


### 2. VSWR



### 3. Amplitude Balance & Phase Balance

CH1 S21/M LOG .3 dB/ REF 0 dB 5: -.03700 dB 25.947 500 000 GHz  
 CH2 S21/M PHA 5 °/ REF 0 ° 5: 1.2483 ° 25.480 000 000 GHz



CH1 Markers  
M n  
1: -.02900 dB  
18.0000 GHz  
2: -.01800 dB  
21.0000 GHz  
3: -.02800 dB  
23.5000 GHz  
4: -.02300 dB  
26.5000 GHz

CH2 Markers  
M n  
1: 530.52 n°  
18.0000 GHz  
2: 815.82 n°  
21.0000 GHz  
3: 363.24 n°  
23.5000 GHz  
4: 1.1014 °  
26.5000 GHz