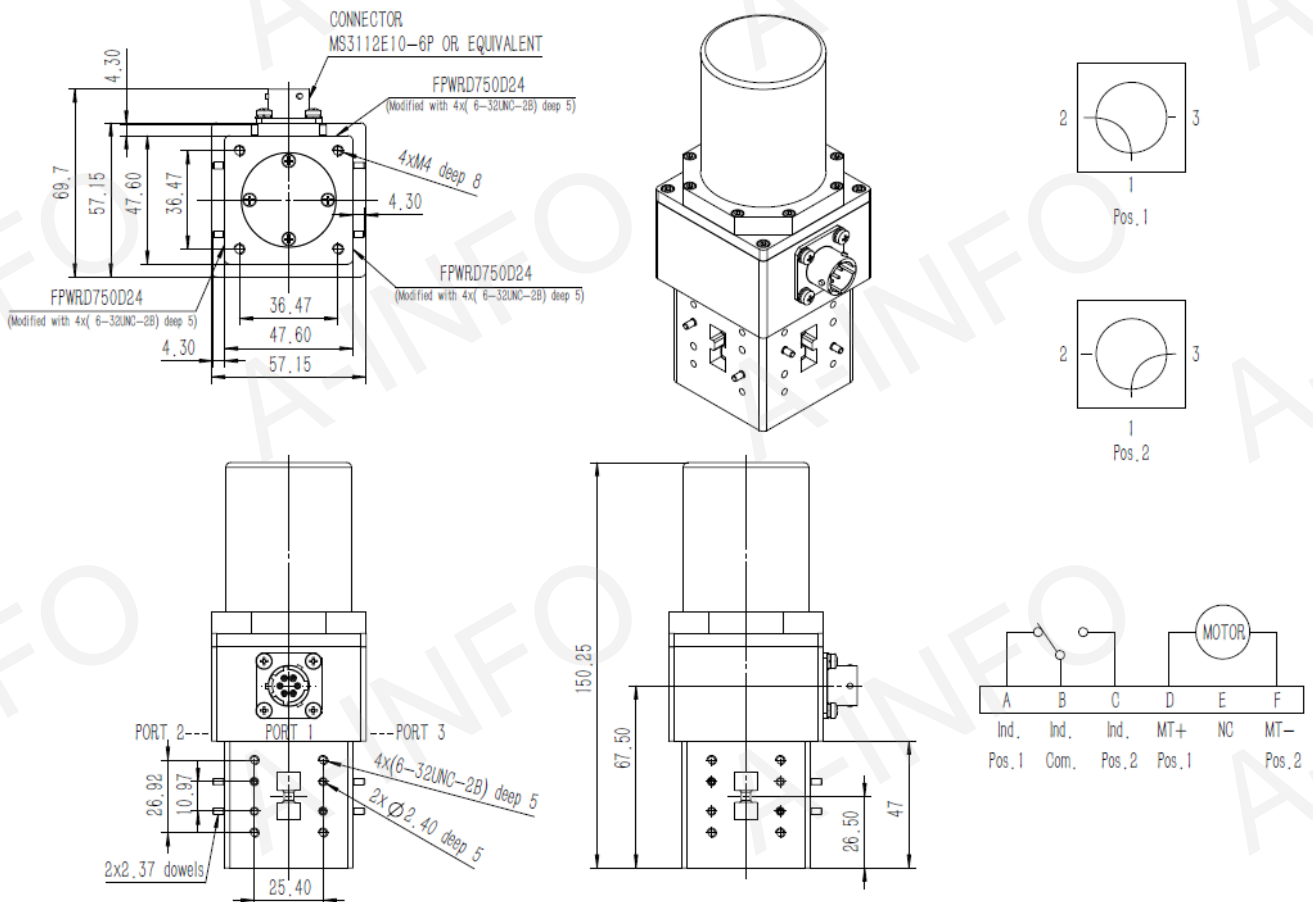


## Technical Specification



EIA WRD	WRD750
Switch Type	SPDT Latching
Frequency Range(GHz)	7.5-18.0
DC Power Supply(V)	27 ± 3
Current(A)	1.0 Max.
VSWR	1.20 Max.
Isolation(dB)	60 Min.
Insertion Loss(dB)	0.5 Max.
Switching Time(ms)	100 Max.
Average Power(W)	500 Max.
Flange	FPWRD750D24 (Modified with 4x 6-32UNC-2B D5)
Size(mm)	57.15x69.70x150.25
Material	Al
Operating Temperature(°C)	-55 ~ +85
Net Weight(Kg)	0.86 Around

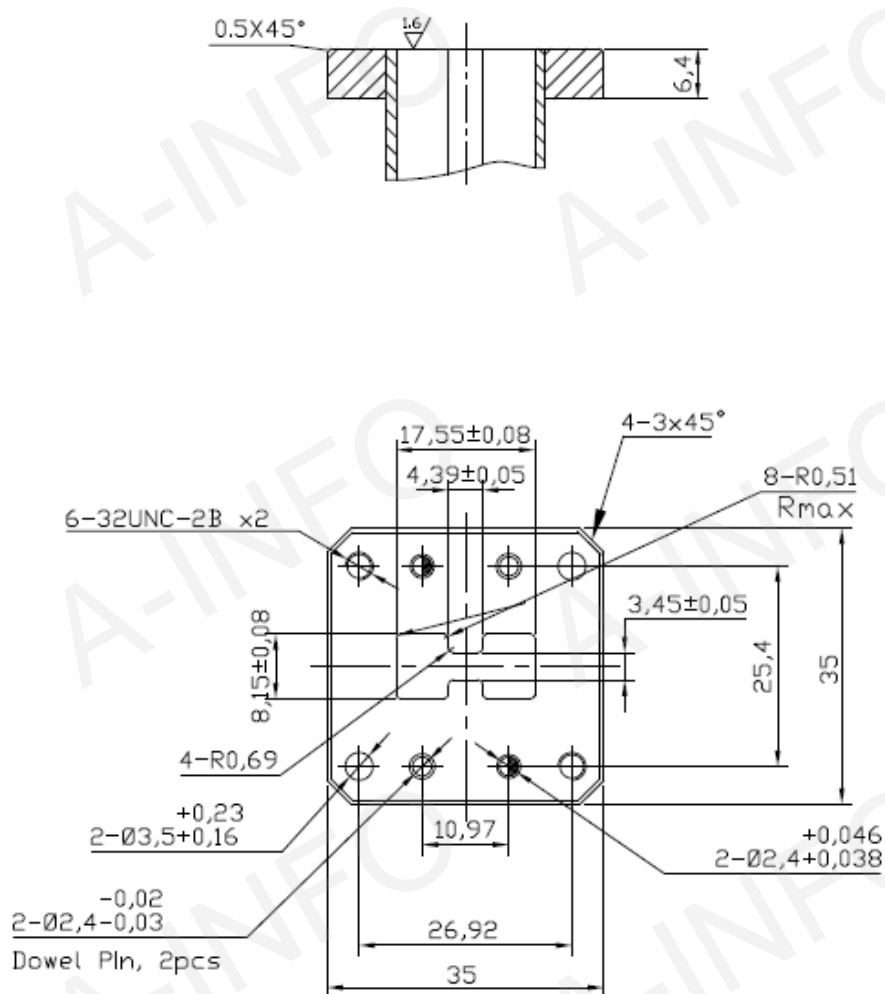
## Outline Drawing (Size: mm)



## Flange Drawing (Size: mm)

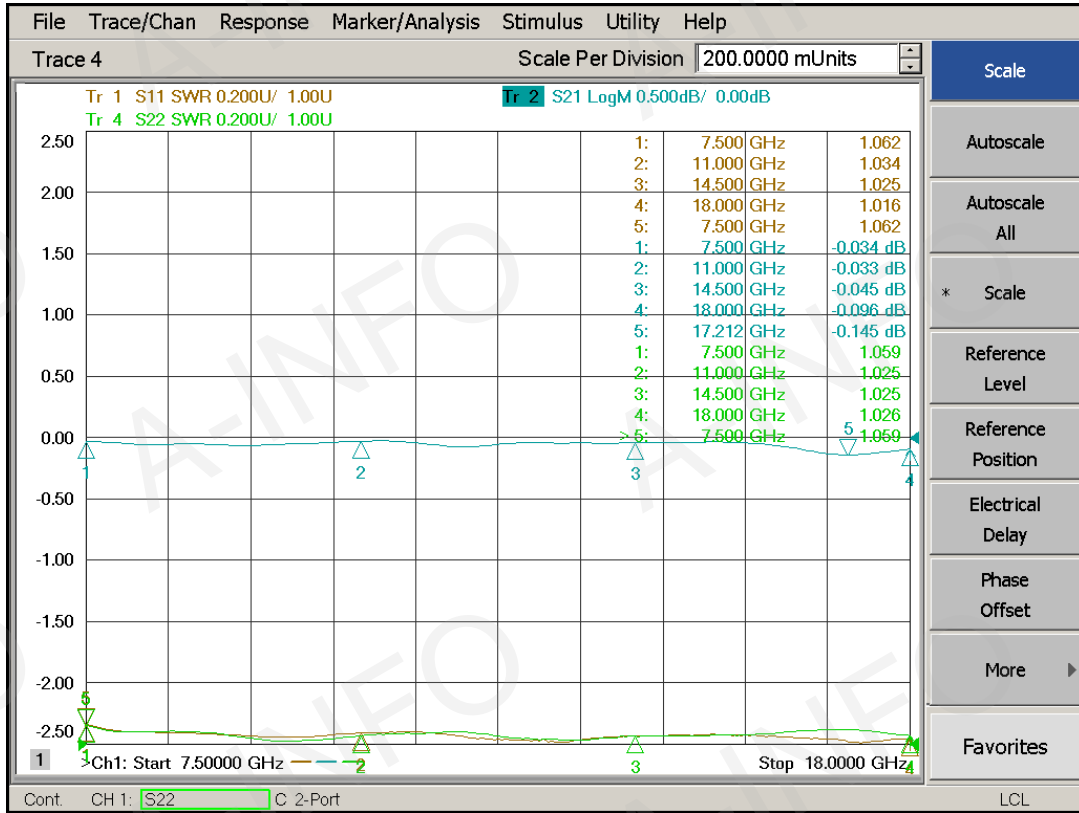
### FPWRD750D24

(With two through mounting holes  
and two screws holes)

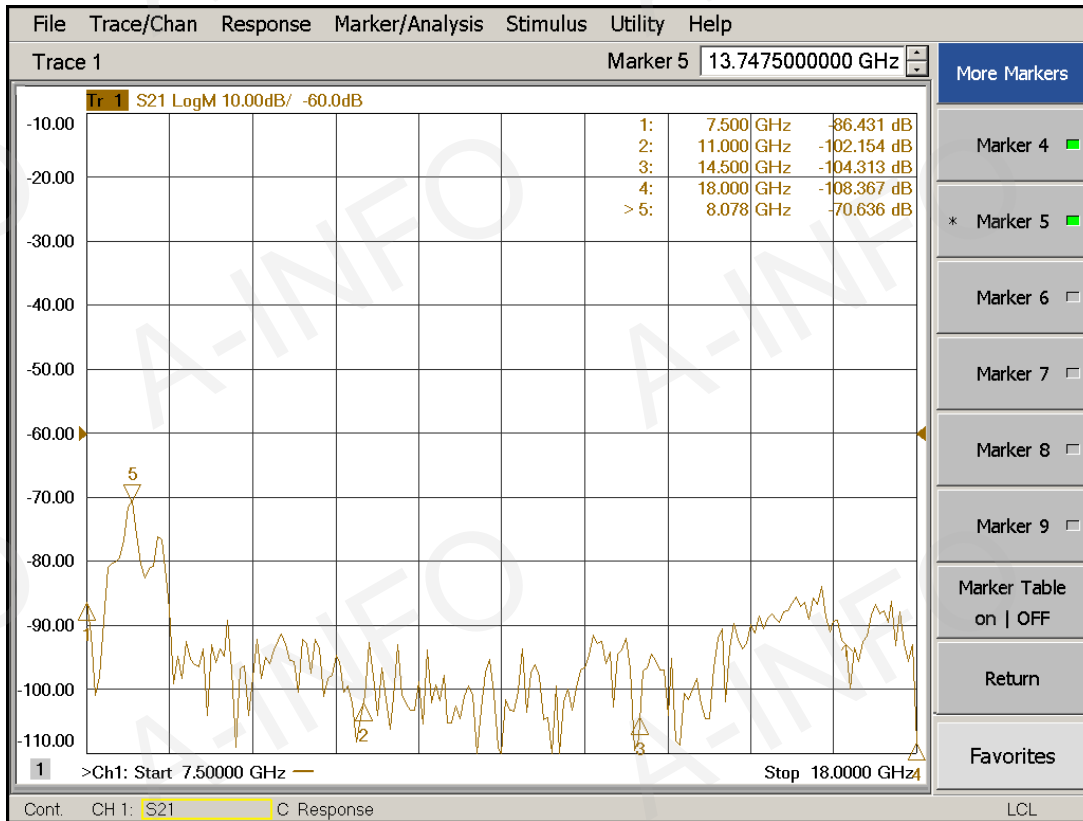


## Test Results

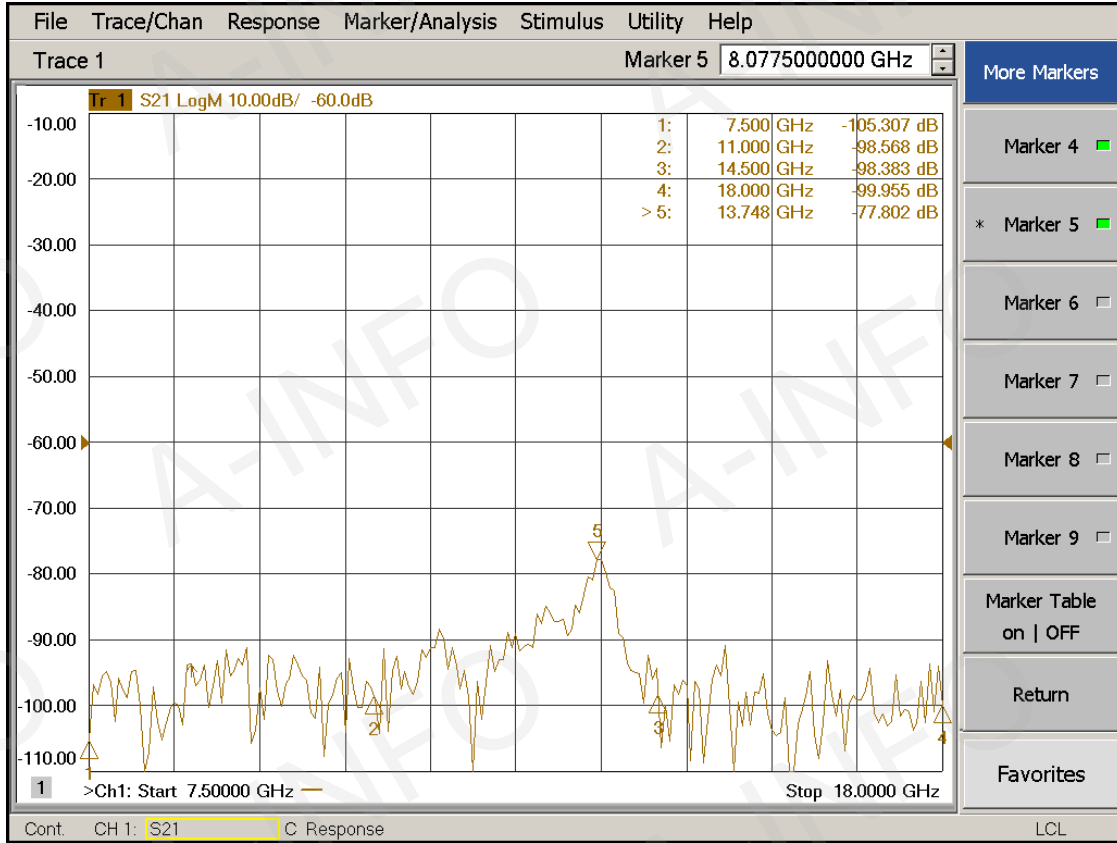
### I.L. @Pos. 1



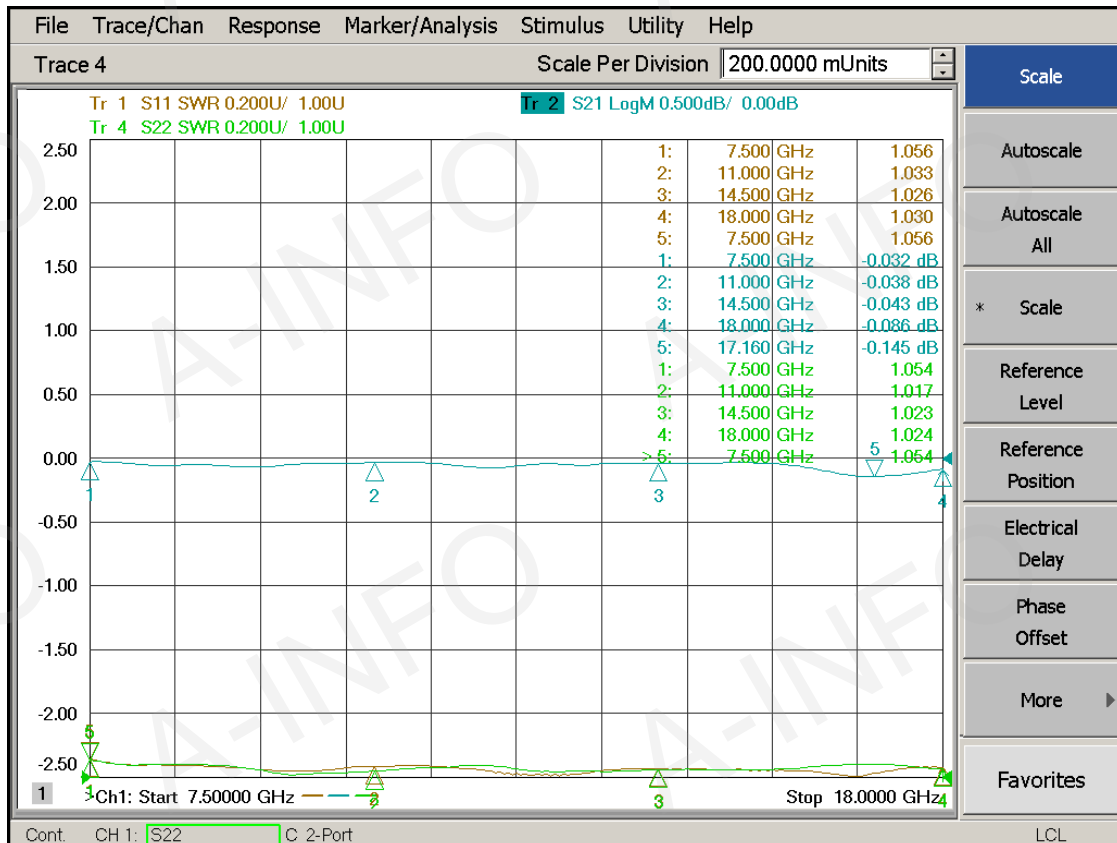
### Iso.(From port 1 to port 3) @ Pos. 1



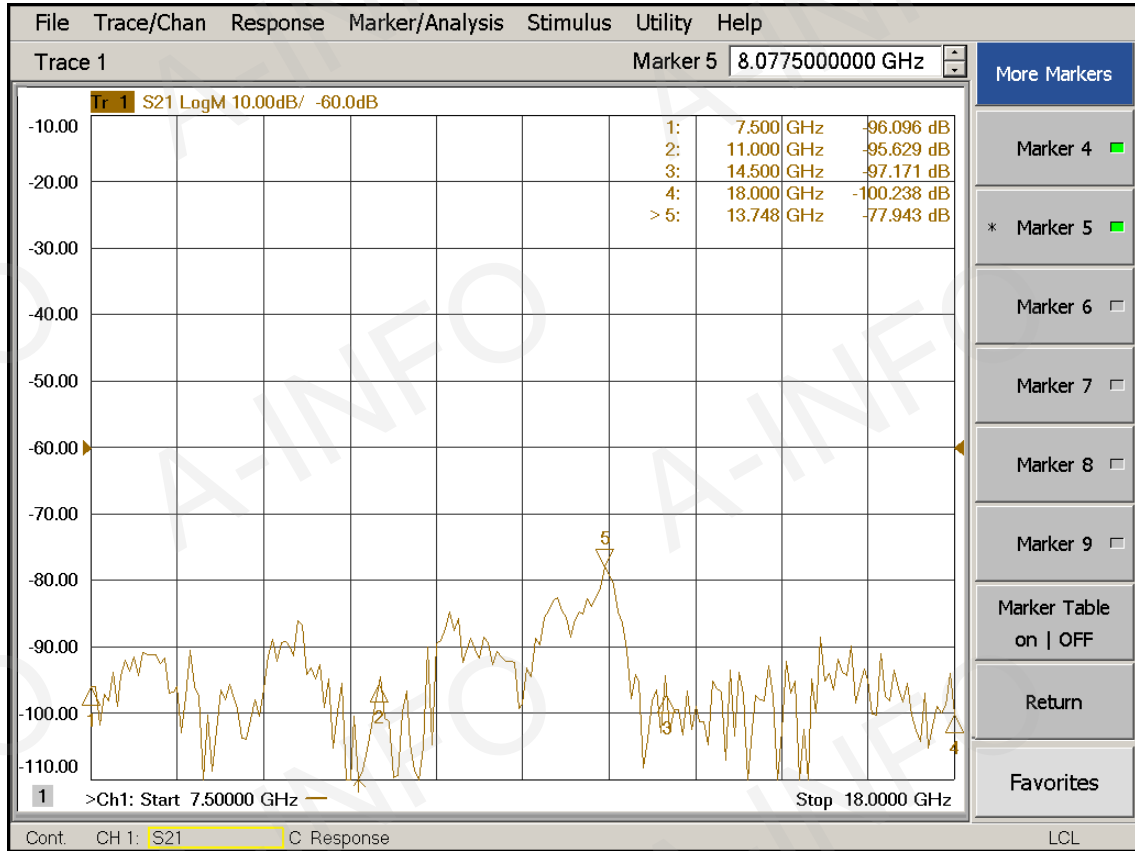
Iso.(From port 2 to port 3) @ Pos. 1



I.L. @ Pos. 2



## Iso.(From port 1 to port 2) @ Pos. 2



## Iso.(From port 3 to port 2) @ Pos. 2

