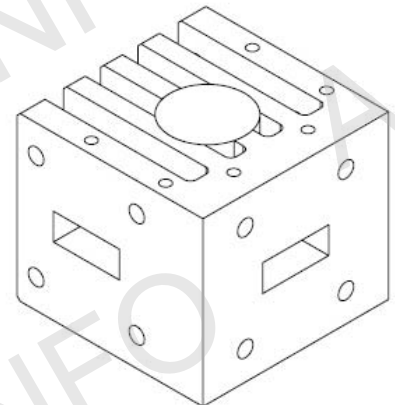
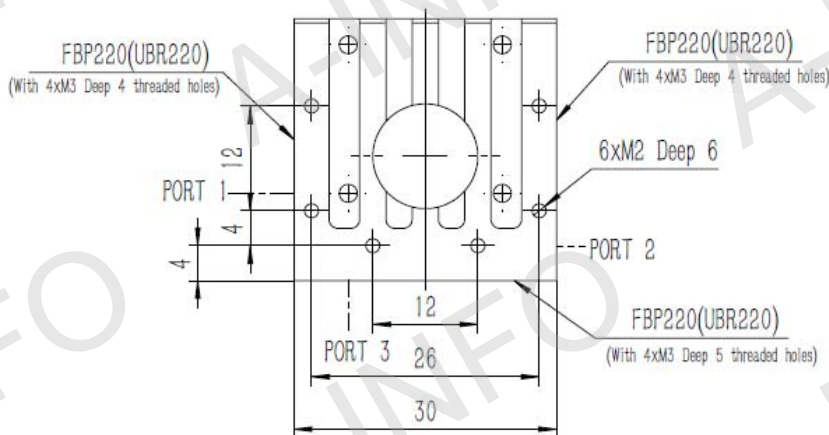
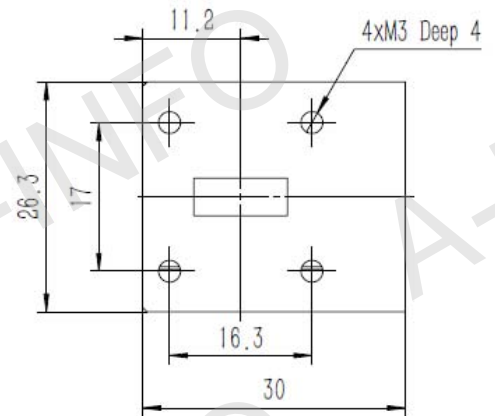
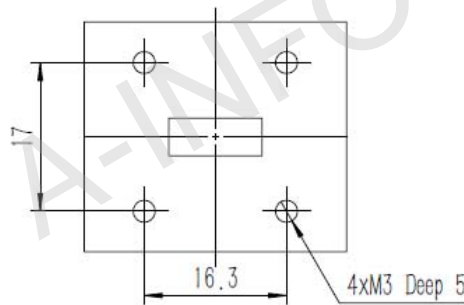


## Technical Specification

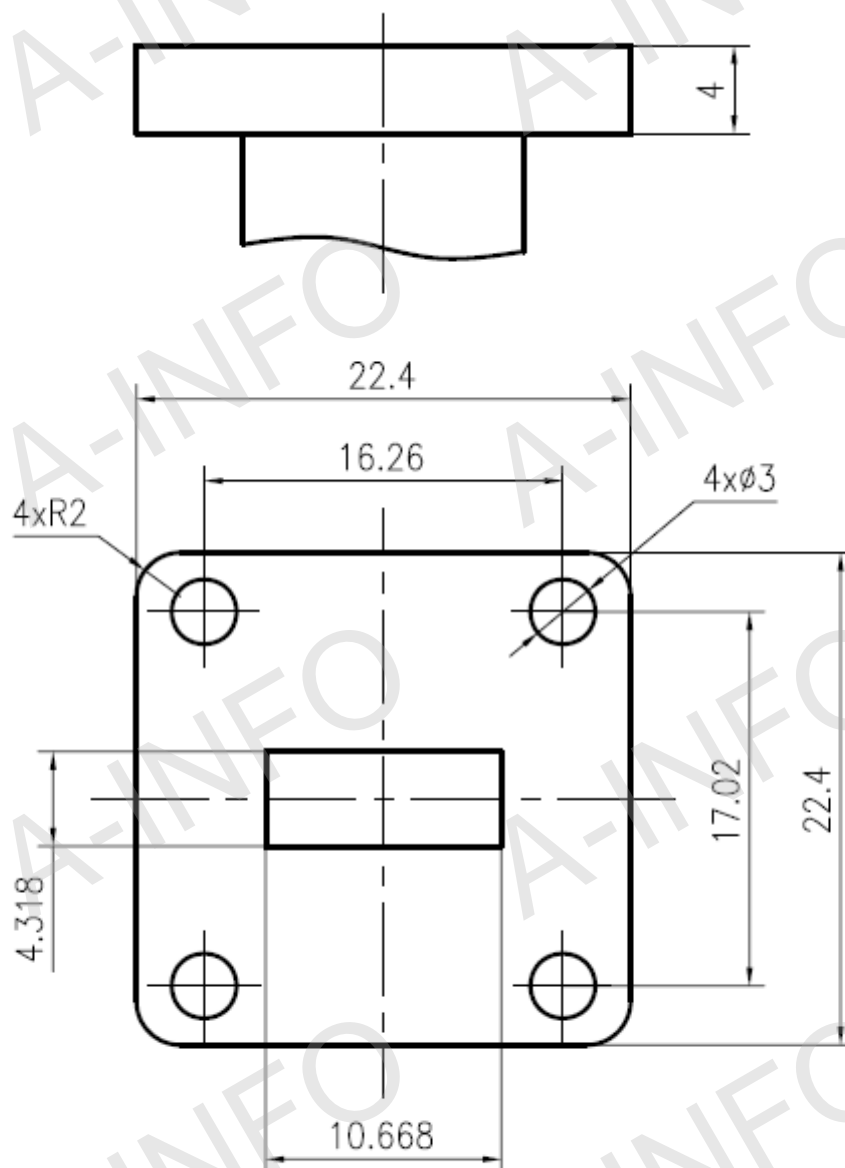


EIA WR	WR42
Frequency Range(GHz)	23.3-25.7
Isolation(dB)	20 Min.
Insertion Loss(dB)	0.5 Max.
VSWR	1.2:1 Max.
Average Power(W)	50
Flange	FBP220(UBR220) (With 4xM3 Deep 4 threaded holes)
Material	Al
Size(mm)	30 x 30 x 26.3
Net Weight(Kg)	0.05 Around

## Outline Drawing (Size: mm)



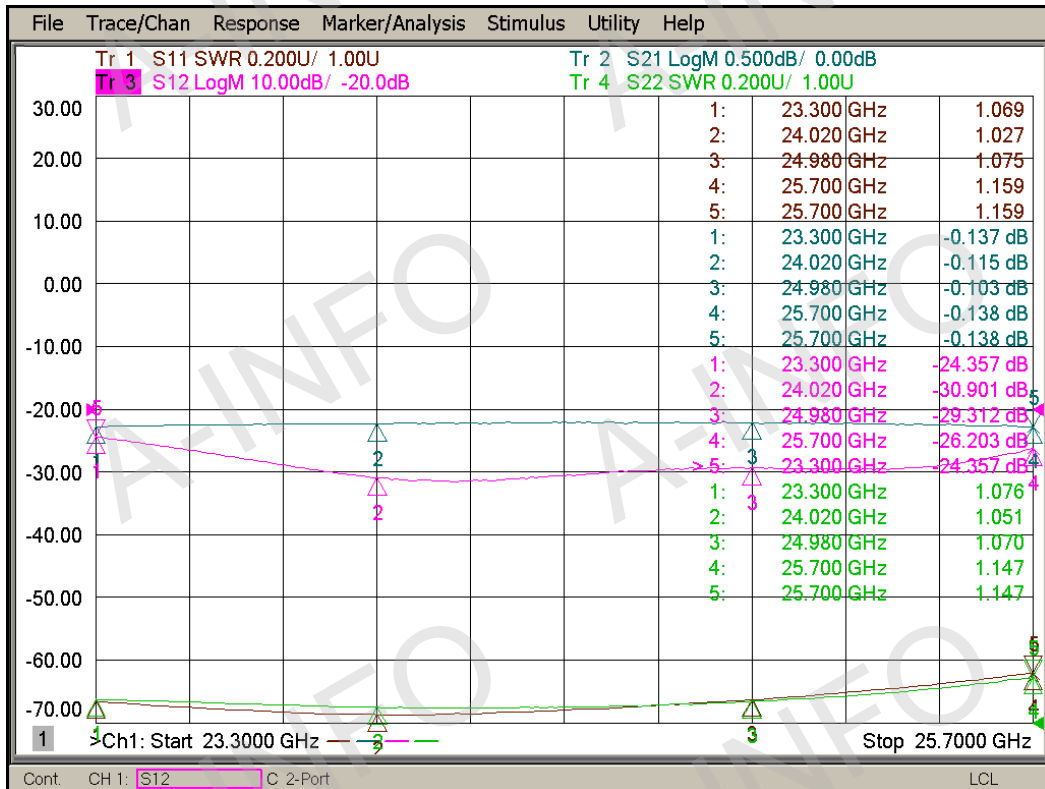
## Flange Outline Drawing (Size: mm)



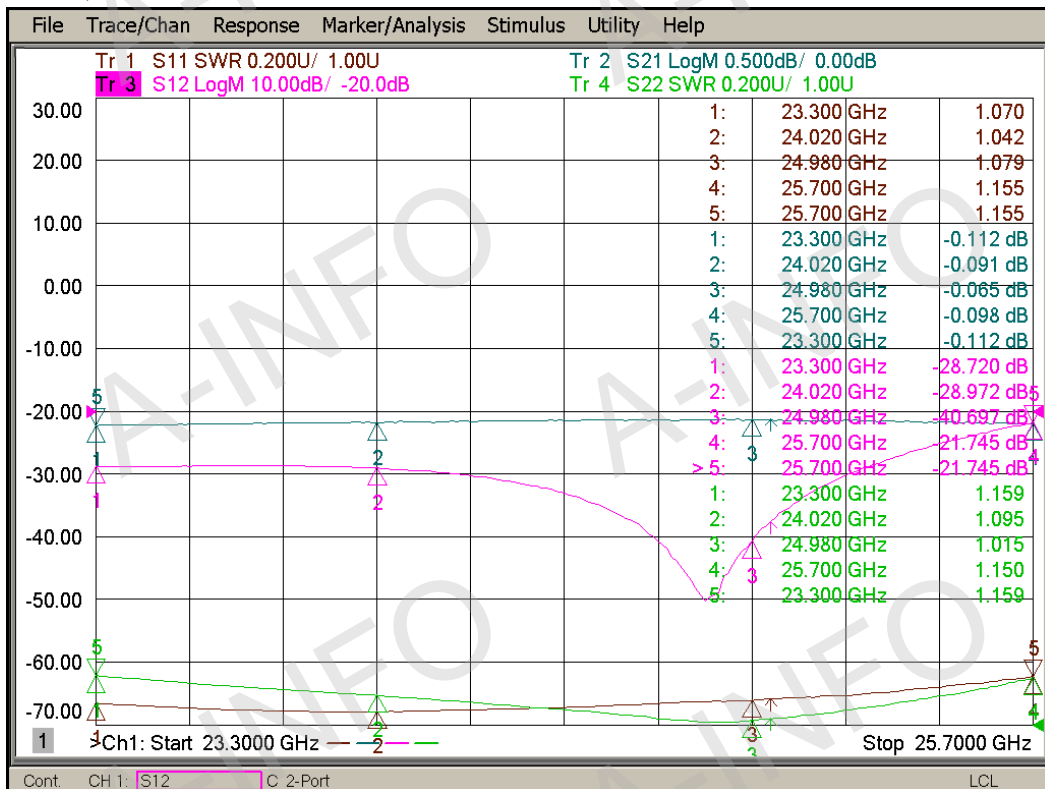
### FBP220

## Test Results

Port1-Port2: I.L., Isolation & VSWR



Port2-Port3: I.L., Isolation & VSWR



Port3-Port1: I.L., Isolation & VSWR

