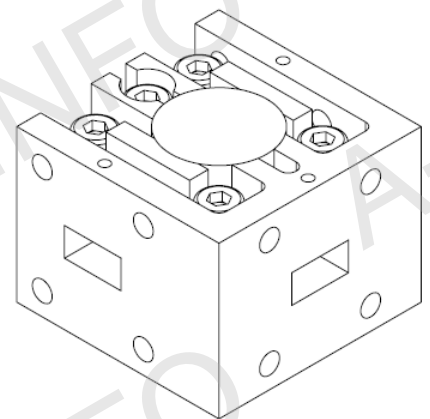
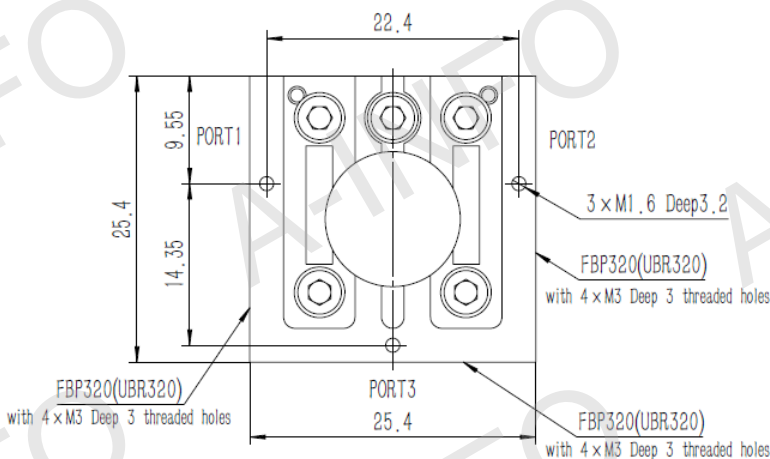
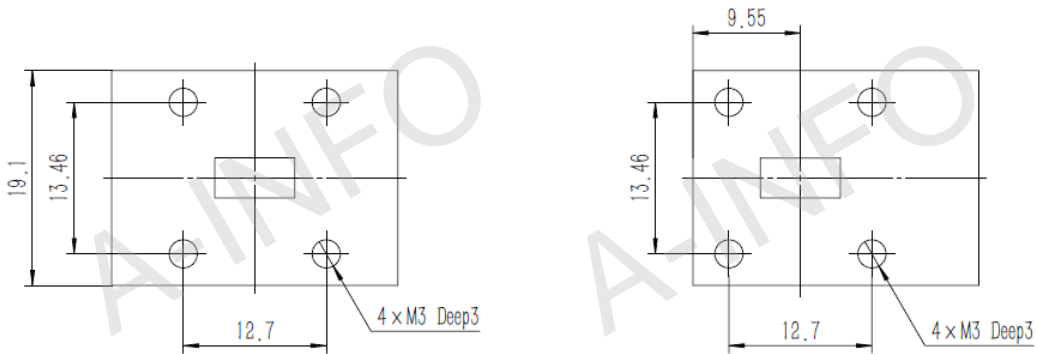


Technical Specification

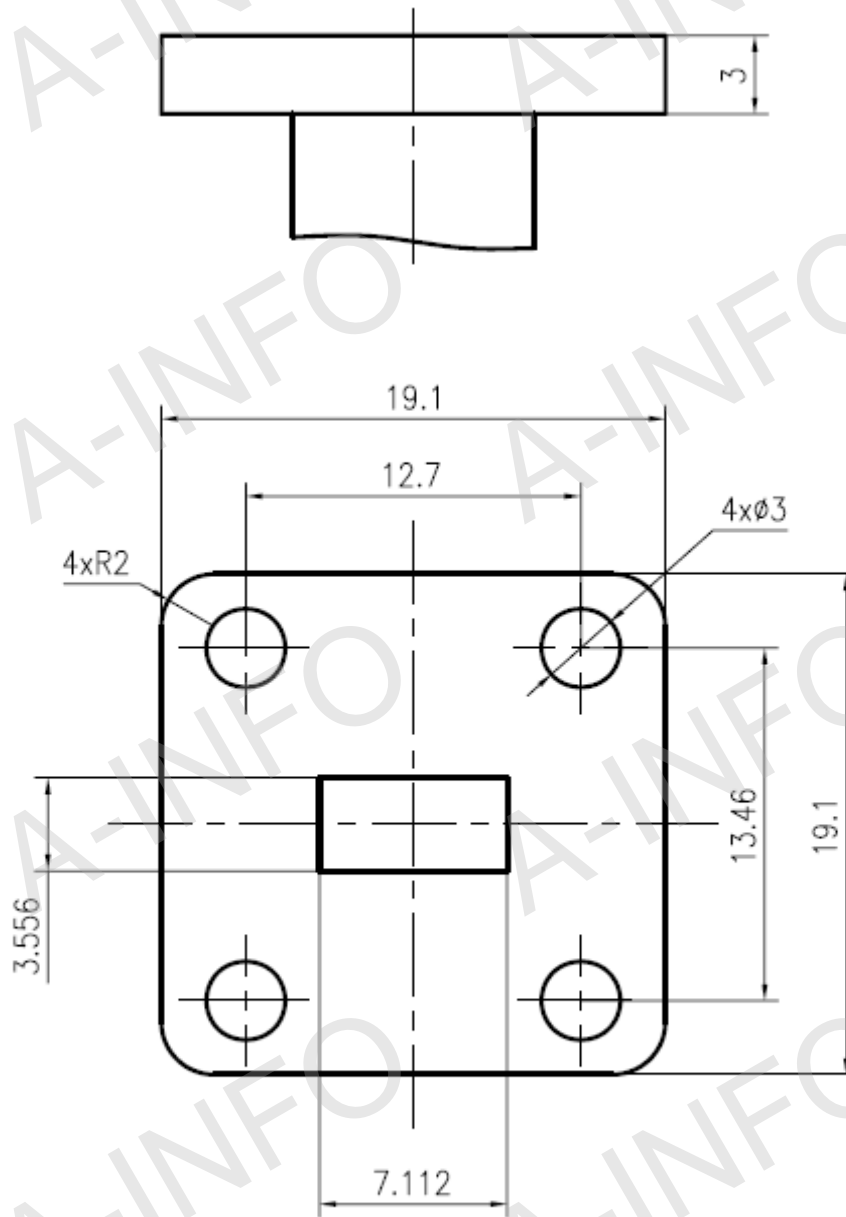


EIA WR	WR28
Frequency Range(GHz)	34.0-36.0
Insertion Loss(dB)	0.6 Max.
Isolation(dB)	20 Min.
VSWR	1.3:1 Max.
Power Handling(W)	2
Flange	FBP320(UBR320) (With 4XM3 Deep 3 threaded holes)
Material	Al
Size(mm)	25.4 x 25.4 x 19.1
Net Weight(Kg)	0.03 Around

Outline Drawing (Size: mm)



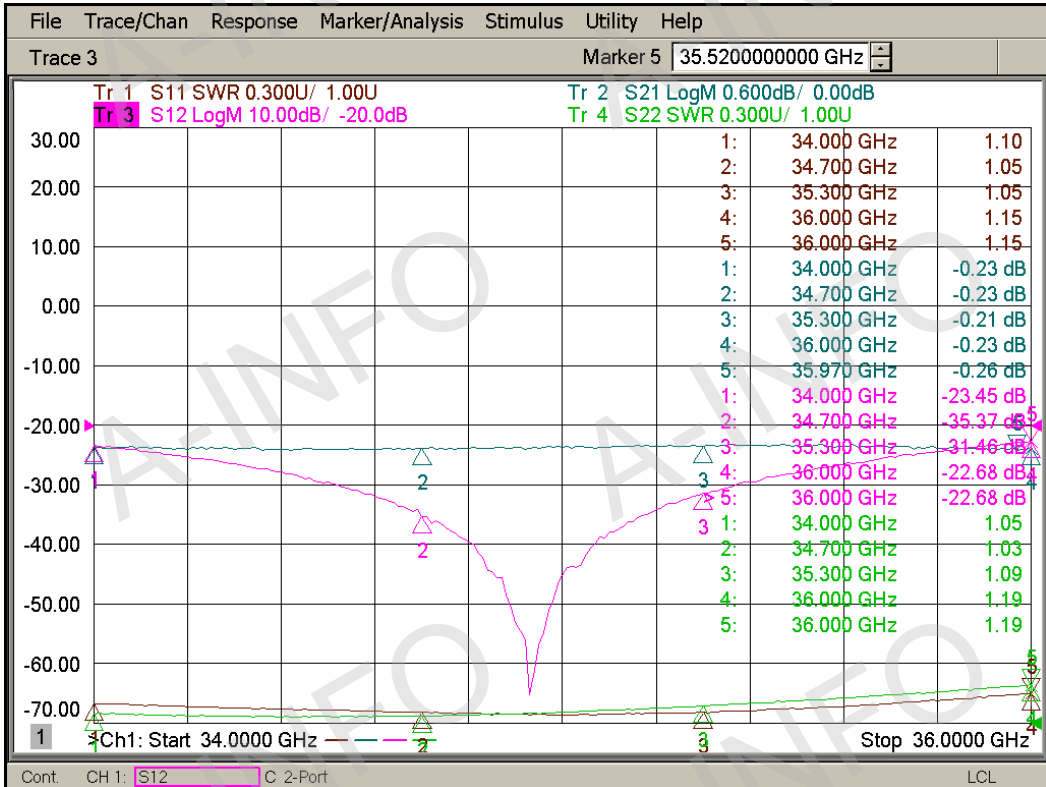
Flange Outline Drawing (Size: mm)



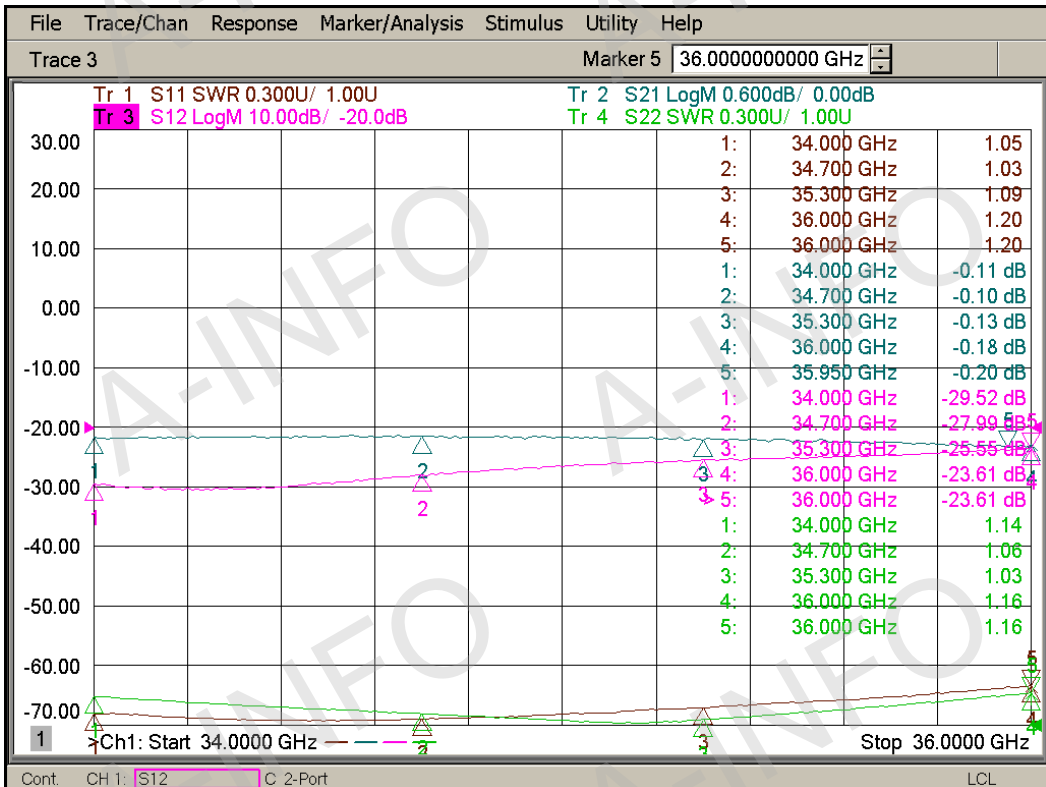
FBP320

Test Results

Port1-Port2: I.L., Isolation & VSWR



Port2-Port3: I.L., Isolation & VSWR



Port3-Port1: I.L., Isolation & VSWR

