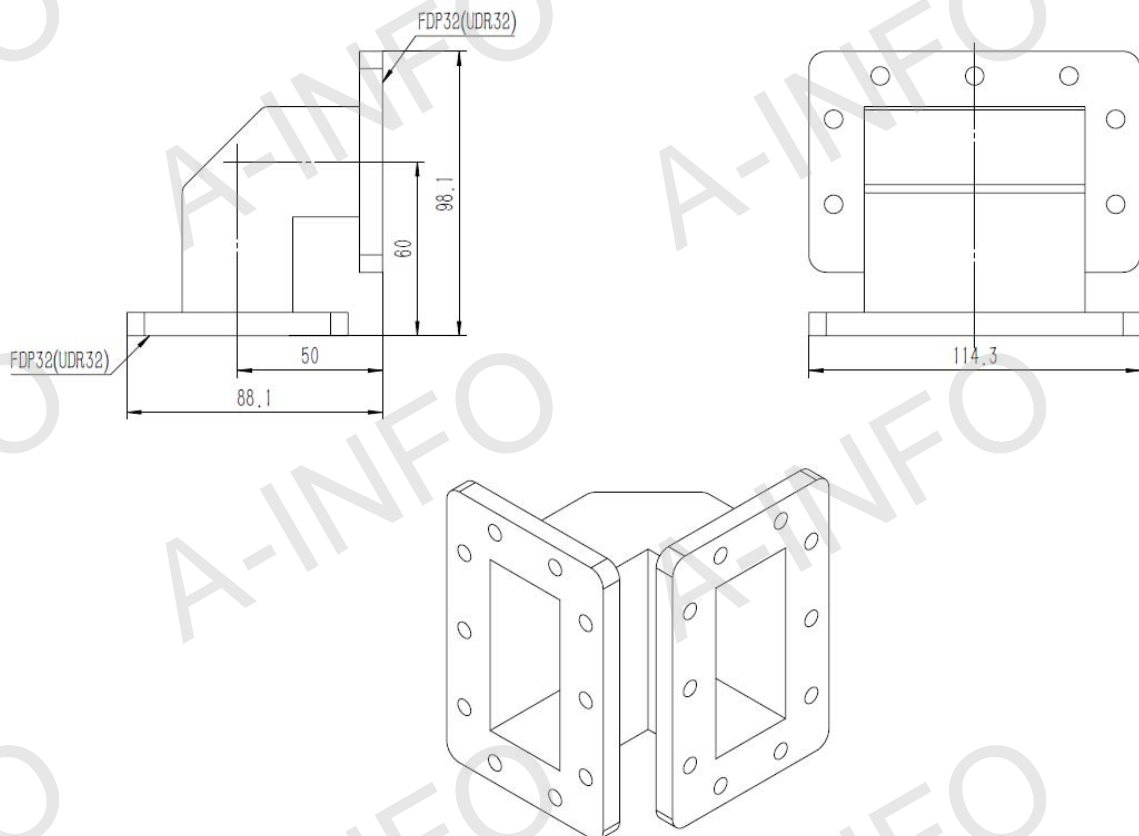


Technical Specification

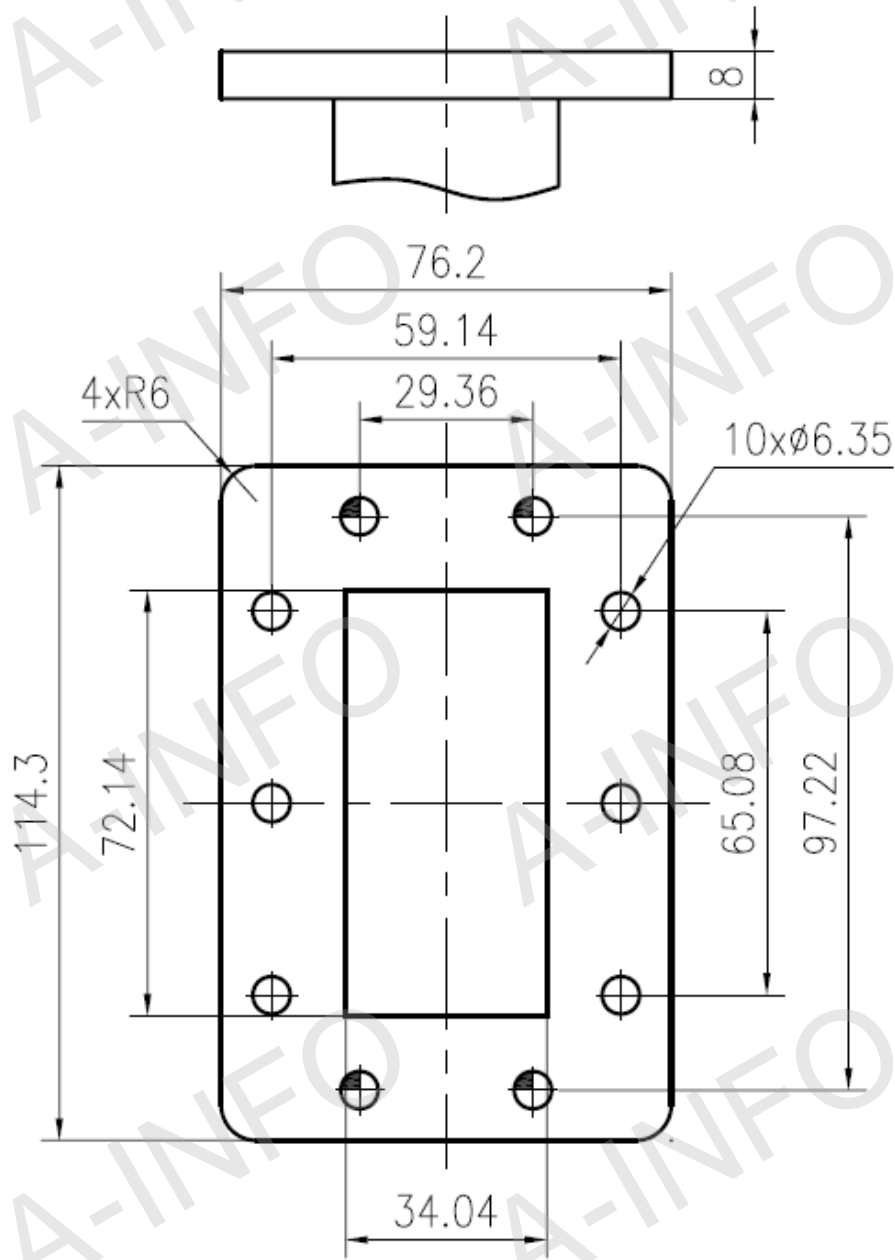


| | |
|-----------------------|---------------------|
| EIA WR | WR284 |
| Frequency Range (GHz) | 2.60 - 3.95 |
| Insertion Loss(dB) | 0.1 Max. |
| VSWR | 1.20:1 Max. |
| Flange | FDP32(UDR32) |
| Material | Al |
| Size(mm) | 98.1 x 88.1 x 114.3 |
| Net Weight(Kg) | 0.36 Around |

Outline Drawing (Size: mm)



Flange Drawing (Size: mm)



FDP32

AINFO Inc.

Page 2 of 3

China(Beijing):
China(Chengdu):
USA :

Tel: (+86) 10-6266-7326,
Tel: (+86) 28-8519-2786,
Tel: (+1) 949-639-9688,

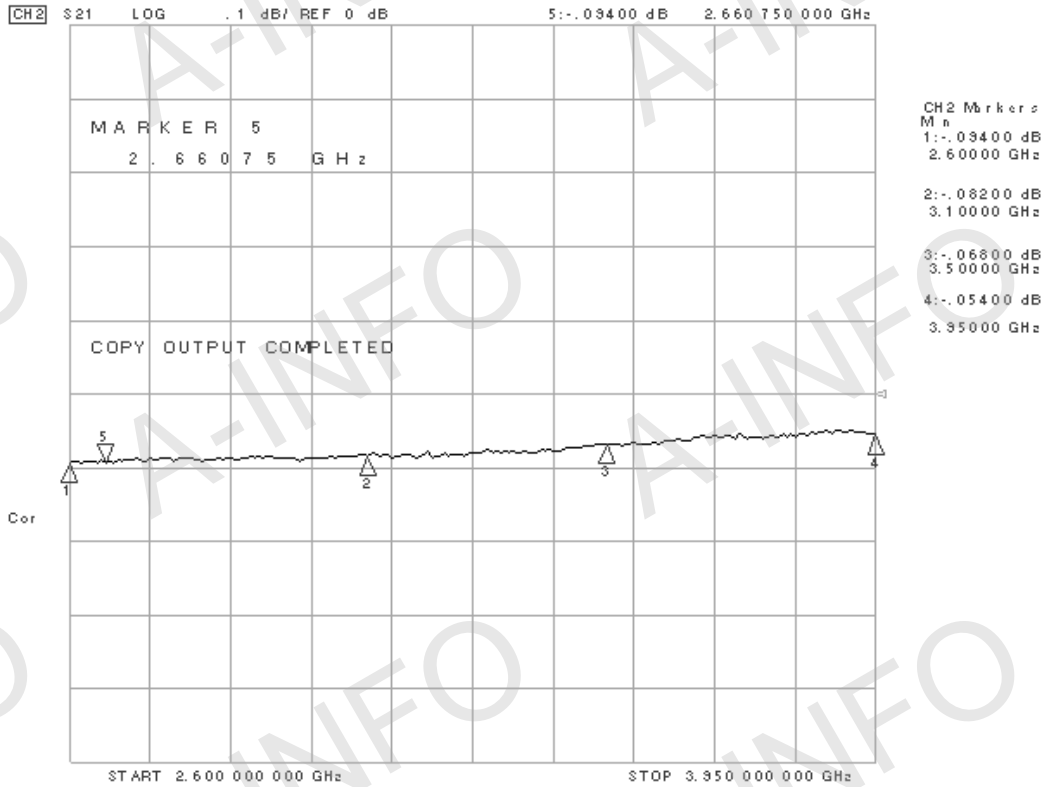
(+86) 10-6266-7327
(+86) 28-8519-3044
(+1) 949-639-9608

Fax: (+86) 10-6266-7379
Fax: (+86) 28-8519-3068
Fax: (+1) 949-639-9670

Website: www.ainfoinc.com
Email: sales@ainfoinc.com

Test Results

Insertion Loss



VSWR

