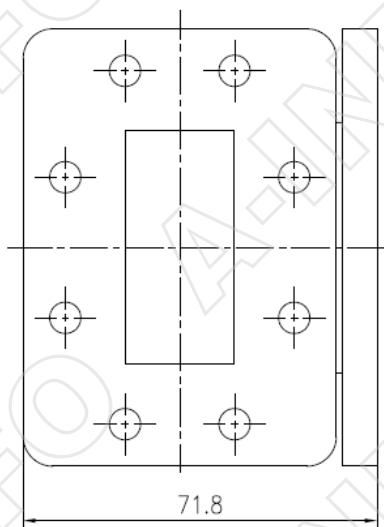
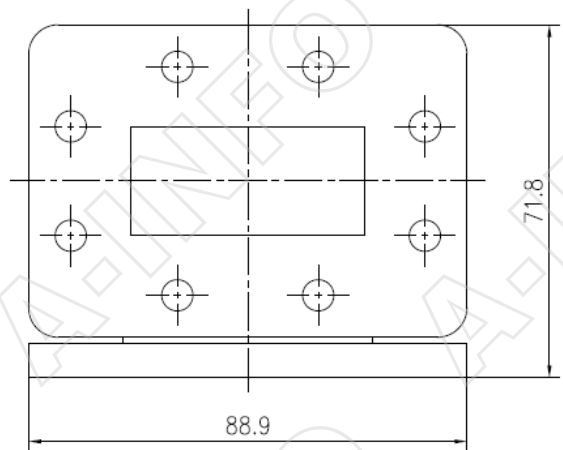
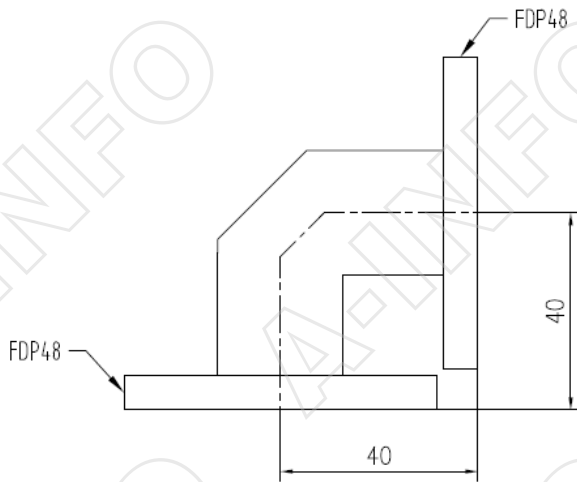


## Technical Specification

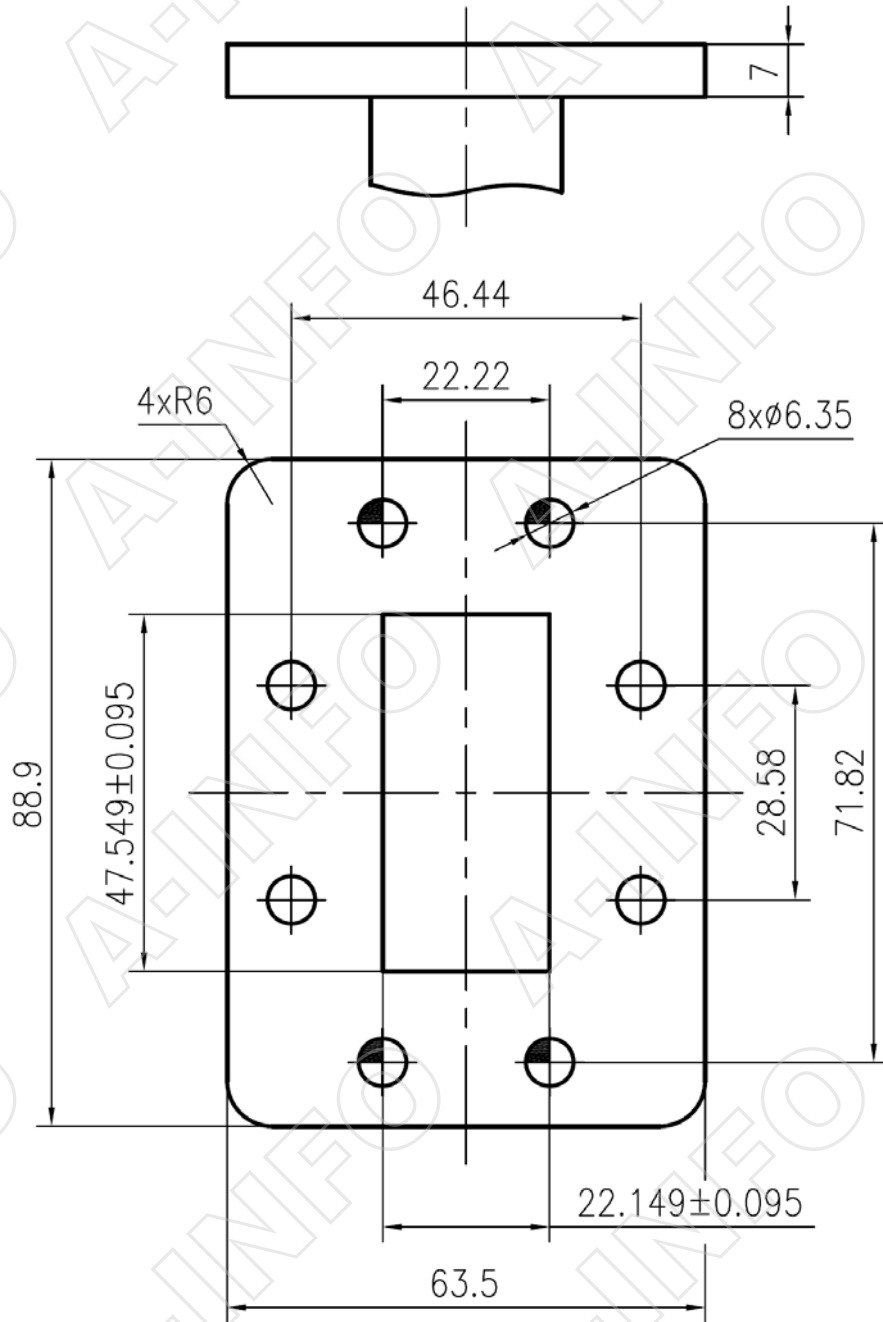


EIA WR	WR187
Frequency Range(GHz)	3.95 - 5.85
VSWR	1.15 max
Flange	FDP48
Material	Al
Net Weight(Kg)	0.20 Around

## Outline Drawing (Size: mm)



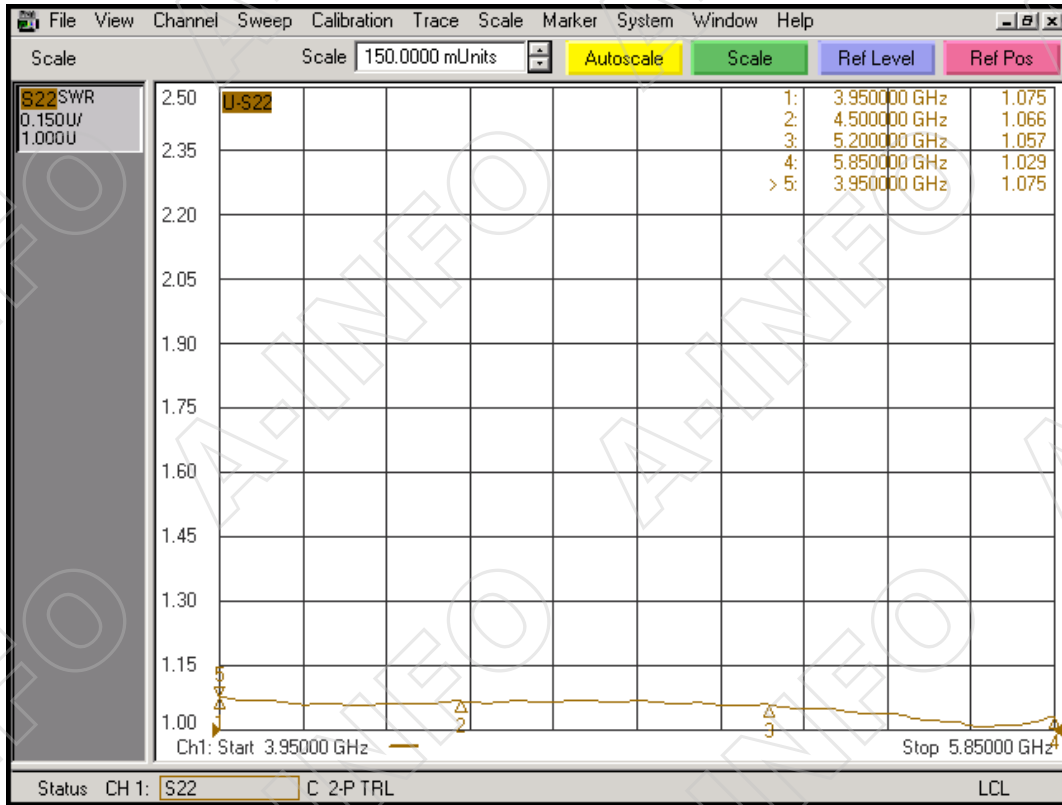
## Flange Drawing (Size: mm)



## FDP48

## Test Results

### VSWR



### Insertion Loss

