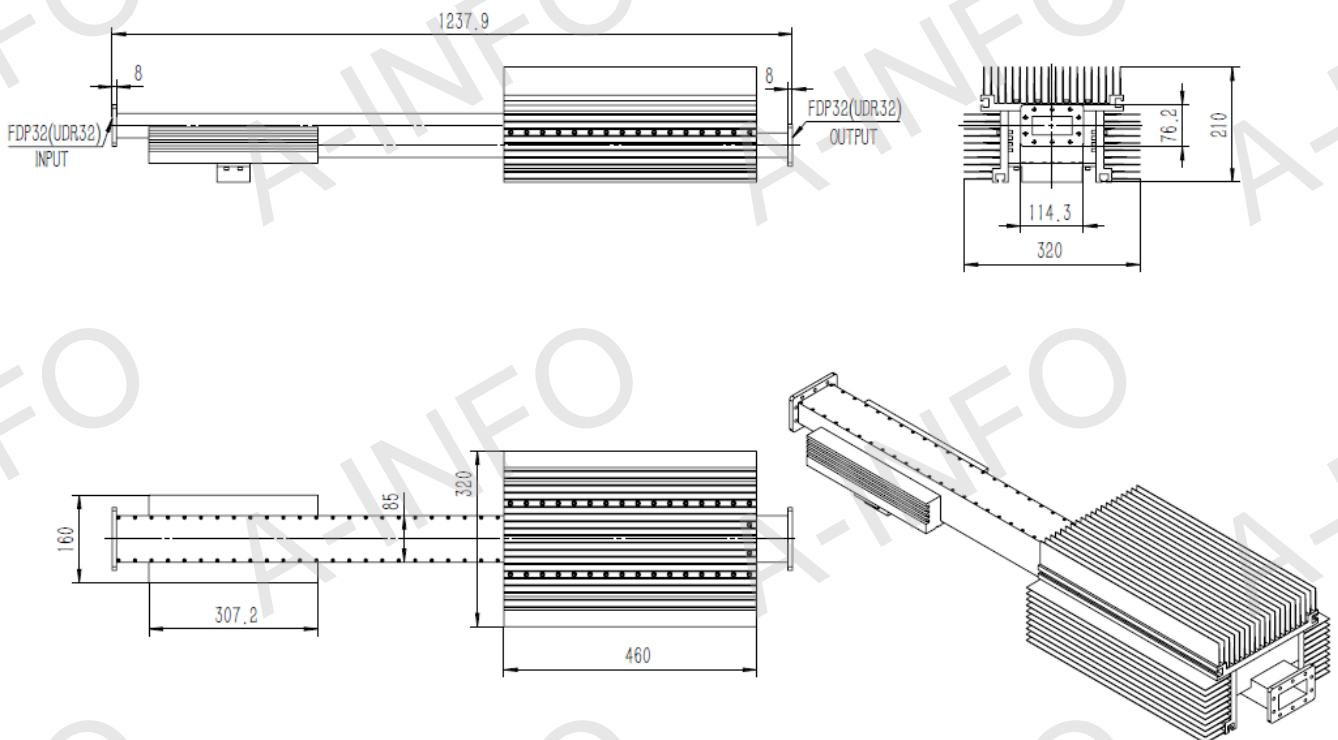


## Technical Specification

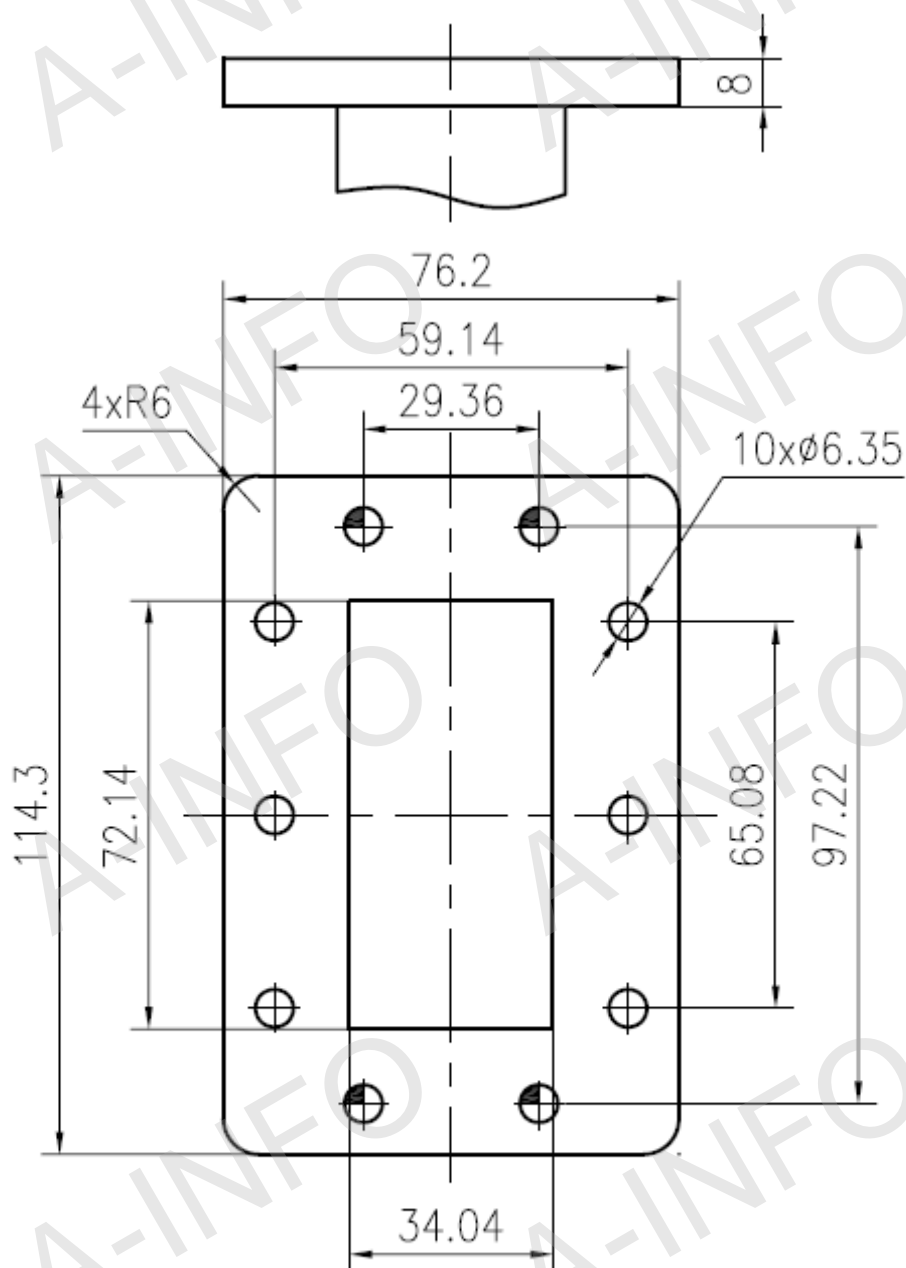


Frequency Range(GHz)	2.60-3.95
Waveguide	WR284
Attenuation(dB)	10
Attenuation Accuracy(dB)	±0.9 Max.
Attenuation Sensitivity(dB)	±0.7 Max.
VSWR	1.1 Max.
Average Power(W)	5000 CW
Peak Power(KW)	3200
Flange	FDP32(UDR32)
Material	Al
Net Weight(Kg)	36.5 Around

## Outline Drawing (Size: mm)



## Flange Drawing (Size: mm)



## FDP32

AINFO Inc.

Page 2 of 3

China(Beijing):  
China(Chengdu):  
USA :

Tel: (+86) 10-6266-7326,  
Tel: (+86) 28-8519-2786,  
Tel: (+1) 949-639-9688,

(+86) 10-6266-7327  
(+86) 28-8519-3044  
(+1) 949-639-9608

Fax: (+86) 10-6266-7379  
Fax: (+86) 28-8519-3068  
Fax: (+1) 949-639-9670

Website: [www.ainfoinc.com](http://www.ainfoinc.com)  
Email: [sales@ainfoinc.com](mailto:sales@ainfoinc.com)

## Test Result

