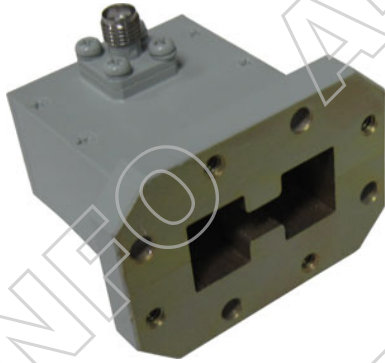
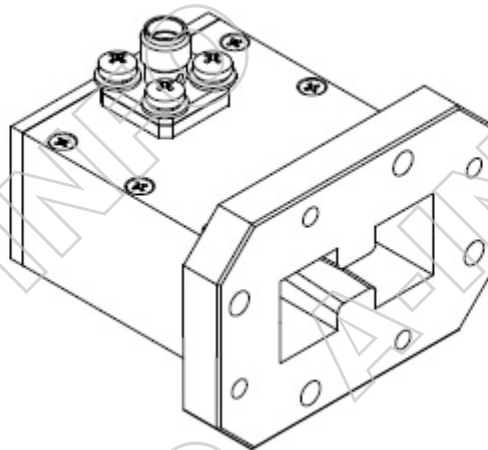
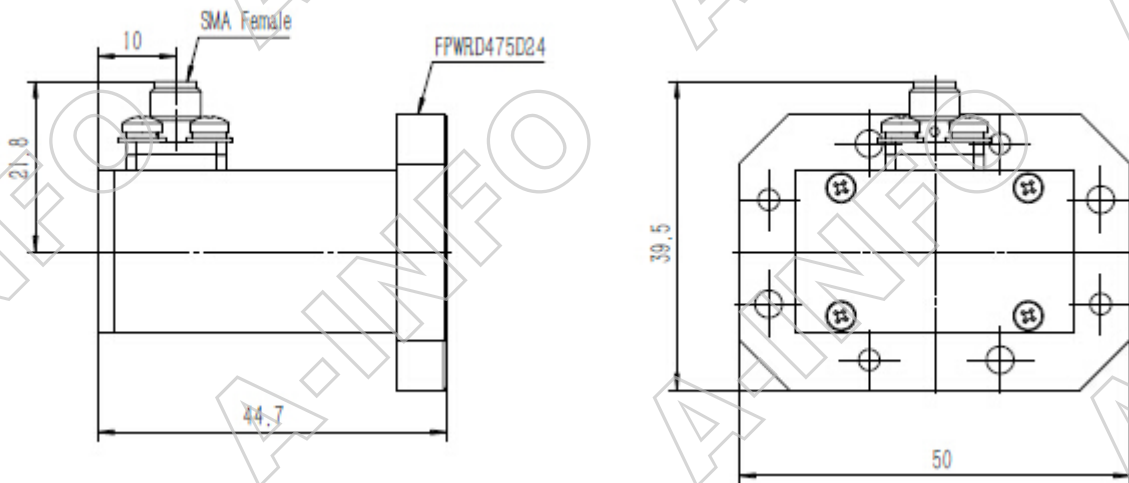


Technical Specification



EIA WRD	WRD475
Frequency Range(GHz)	4.75-11.0
VSWR	1.30 Max.
Connector	SMA-Female
Flange	FPWRD475D24
Material	Al
Size(mm)	44.7 x 50 x 39.5
Net Weight(Kg)	0.10 Around

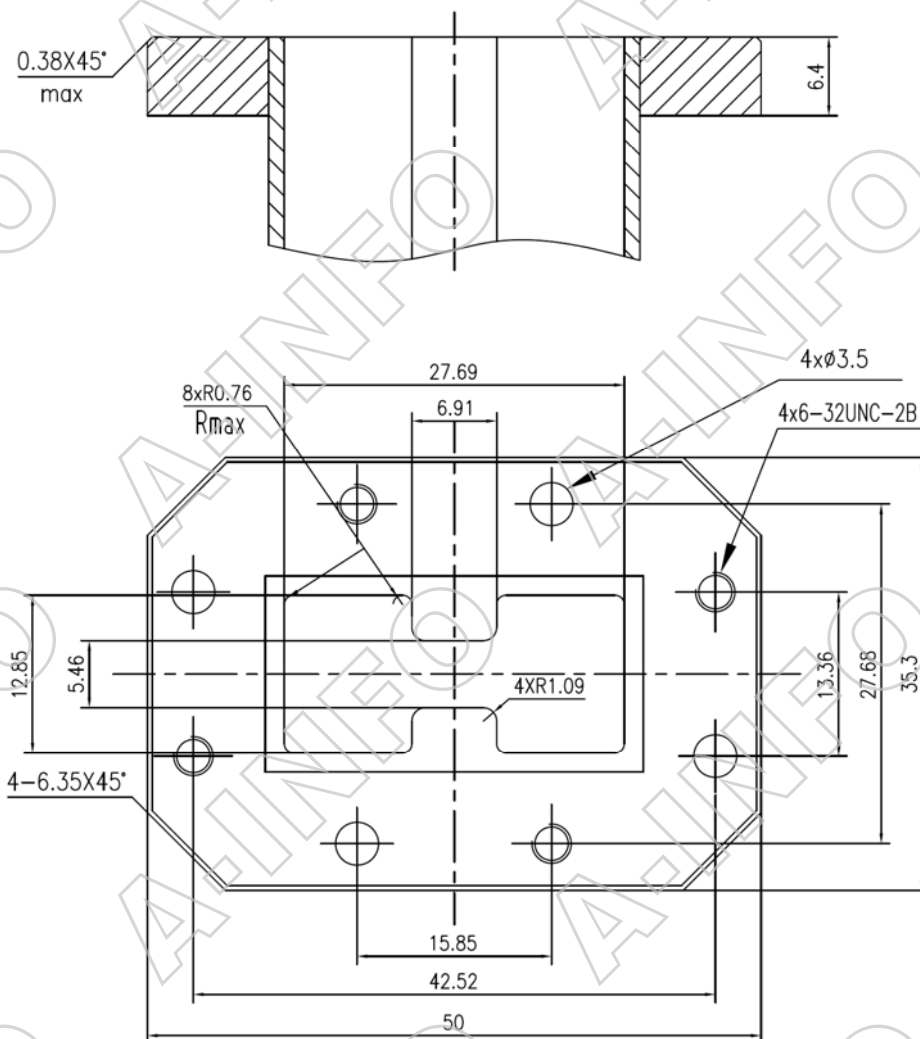
Outline Drawing (Size: mm)



Flange Drawing (Size: mm)

FPWRD475D24

(With four through mounting holes
and four screws holes)



Test Results

VSWR

